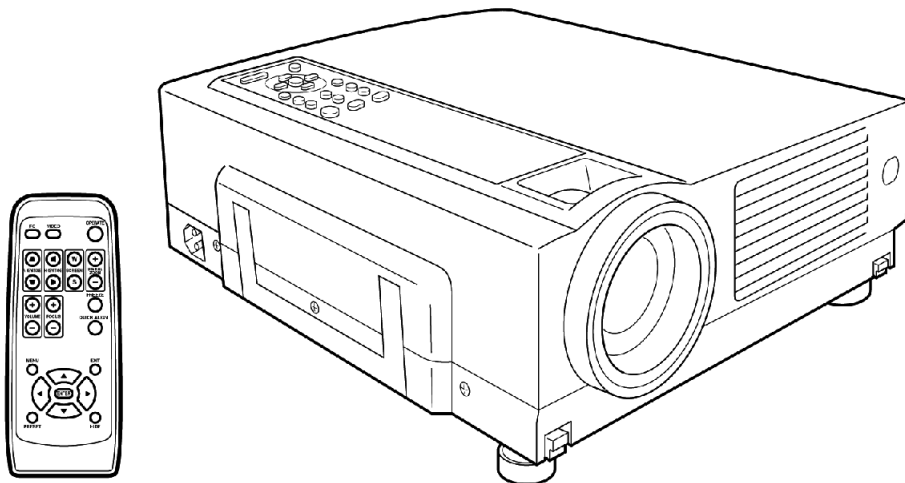


DUKANE

**D-ILA Multimedia Projector
Model 9100HC
User's Manual**



Audio Visual Products
DUKANE

SAFETY PRECAUTIONS

IMPORTANT INFORMATION

NOTICE (For USA)

Language for Manuals of Products using HID Lamps (that contains mercury)

This product has a High Intensity Discharge (HID) lamp that contains a small amount of mercury. It also contains lead in some components.

Disposal of these materials may be regulated in your community due to environmental considerations. For disposal or recycling information please contact your local authorities, or the Electronics Industries Alliance: <http://www.eiae.org>.

WARNING:

TO PREVENT FIRE OR SHOCK HAZARDS, DO NOT EXPOSE THIS APPLIANCE TO RAIN OR MOISTURE.

WARNING:

THIS APPARATUS MUST BE EARTHED.

CAUTION:

To reduce the risk of electric shock, do not remove cover. Refer servicing to qualified service personnel.

This projector is equipped with a 3-blade grounding type plug to satisfy FCC rule. If you are unable to insert the plug into the outlet, contact your electrician.

FCC INFORMATION (U.S.A. only)

CAUTION:

Changes or modification not approved by Dukane could void the user's authority to operate the equipment.

NOTE:

This equipment has been tested and found to comply with the limits for Class B digital devices, pursuant to Part 15 of the FCC Rules. These limits are designed to provide reasonable protection against harmful interference in a residential installation. This equipment generates, uses, and can radiate radio frequency energy and, if not installed and used in accordance with the instructions, may cause harmful interference to radio communications. However, there is no guarantee that interference will not occur in a particular installation. If this equipment does cause harmful interference to radio or television reception, which can be determined by turning the equipment off and on, the user is encourage to try to correct the interference by one or more of the following measures:

- Reorient or relocate the receiving antenna.
- Increase the separation between the equipment and receiver.
- Connect the equipment into an outlet on a circuit different from that to which the receiver is connected.
- Consult the dealer or an experienced radio/TV technician for help.

MACHINE NOISE INFORMATION (Germany only)

Changes Machine Noise Information Ordinance 3. GSGV, January 18, 1991: The sound pressure level at the operator position is equal or less than 70 dB (A) according to ISO 7779.

About burning-in of the D-ILA device

Do not allow the same still picture to be projected for a long time or an abnormally bright video picture to be projected.

Do not project video images with high-intensity or high contrast on a screen. The video image could be burnt into the D-ILA device.

Use special care when projecting video games or computer program images. There is no problem with ordinary video-cassette playback images.

About the installation place

Do not install the projector in a place that cannot support its weight securely.

If the installation place is not sturdy enough, the projector could fall or overturn, possibly causing personal injury.

IMPORTANT SAFEGUARDS

Electrical energy can perform many useful functions. This unit has been engineered and manufactured to assure your personal safety. But **IMPROPER USE CAN RESULT IN POTENTIAL ELECTRICAL SHOCK OR FIRE HAZARD**. In order not to defeat the safeguards incorporated into this product, observe the following basic rules for its installation, use and service. Please read these Important Safeguards carefully before use.

- All the safety and operating instructions should be read before the product is operated.
- The safety and operating instructions should be retained for future reference.
- All warnings on the product and in the operating instructions should be adhered to.
- All operating instructions should be followed.
- Place the projector near a wall outlet where the plug can be easily unplugged.
- Unplug this product from the wall outlet before cleaning. Do not use liquid cleaners or aerosol cleaners. Use a damp cloth for cleaning.
- Do not use attachments not recommended by the product manufacturer as they may be hazardous.
- Do not use this product near water. Do not use immediately after moving from a low temperature to high temperature, as this causes condensation, which may result in fire, electric shock, or other hazards.
- Do not place this product on an unstable cart, stand, or table. The product may fall, causing serious injury to a child or adult, and serious damage to the product. The product should be mounted according to the manufacturer's instructions, and should use a mount recommended by the manufacturer.
- When the product is used on a cart, care should be taken to avoid quick stops, excessive force, and uneven surfaces which may cause the product and cart to overturn, damaging equipment or causing possible injury to the operator.

PORTABLE CART WARNING
(symbol provided by RETAC)



S3126A

- Slots and openings in the cabinet are provided for ventilation. These ensure reliable operation of the product and protect it from overheating. These openings must not be blocked or covered. (The openings should never be blocked by placing the product on bed, sofa, rug, or similar surface. It should not be placed in a built-in installation such as a bookcase or rack unless proper ventilation is provided and the manufacturer's instructions have been adhered to.)

For proper ventilation, separate the product from other equipment, which may prevent ventilation and keep a distance of more than 11-7/8" (30 cm).

- This product should be operated only with the type of power source indicated on the label. If you are not sure of the type of power supply to your home, consult your product dealer or local power company.
- This product is equipped with a three-wire plug. This plug will fit only into a grounded power outlet. If you are unable to insert the plug into the outlet, contact your electrician to install the proper outlet. Do not defeat the safety purpose of the grounded plug.
- Power-supply cords should be routed so that they are not likely to be walked on or pinched by items placed upon or against them. Pay particular attention to cords at doors, plugs, receptacles, and the point where they exit from the product.
- For added protection of this product during a lightning storm, or when it is left unattended and unused for long periods of time, unplug it from the wall outlet and disconnect the cable system. This will prevent damage to the product due to lightning and power line surges.
- Do not overload wall outlets, extension cords, or convenience receptacles on other equipment as this can result in a risk of fire or electric shock.
- Never push objects of any kind into this product through openings as they may touch dangerous voltage points or short out parts that could result in a fire or electric shock.
Never spill liquid of any kind on the product.
- Do not attempt to service this product yourself as opening or removing covers may expose you to dangerous voltages and other hazards. Refer all service to qualified service personnel.
- Unplug this product from the wall outlet and refer service to qualified service personnel under the following conditions:
 - a) When the power supply cord or plug is damaged.
 - b) If liquid has been spilled, or objects have fallen on the product.
 - c) If the product has been exposed to rain or water.
 - d) If the product does not operate normally by following the operating instructions. Adjust only those controls that are covered by the Operation Manual, as an improper adjustment of controls may result in damage and will often require extensive work by a qualified technician to restore the product to normal operation.
 - e) If the product has been dropped or damaged in any way.
 - f) When the product exhibits a distinct change in performance - this indicates a need for service.
- When replacement parts are required, be sure the service technician has used replacement parts specified by the manufacturer or with same characteristics as the original part. Unauthorized substitutions may result in fire, electric shock, or other hazards.
- Upon completion of any service or repairs to this product, ask the service technician to perform safety checks to determine that the product is in proper operating condition.

- The product should be placed more than one foot away from heat sources such as radiators, heat registers, stoves, and other products (including amplifiers) that produce heat.
- When connecting other products such as VCR's, and personal computers, you should turn off the power of this product for protection against electric shock.
- Do not place combustibles behind the cooling fan. For example, cloth, paper, matches, aerosol cans or gas lighters that present special hazards when over heated.
- Do not look into the projection lens while the illumination lamp is turned on. Exposure of your eyes to the strong light can result in impaired eyesight.
- Do not look into the inside of this unit through vents (ventilation holes), etc. Do not look at the illumination lamp directly by opening the cabinet while the illumination lamp is turned on. The illumination lamp also contains ultraviolet rays and the light is so powerful that your eyesight can be impaired.
- Do not drop, hit, or damage the light-source lamp (lamp unit) in any way. It may cause the light-source lamp to break and lead to injuries. Do not use a damaged light source lamp. If the light-source lamp is broken, ask your dealer to repair it. Fragments from a broken light-source lamp may cause injuries.
- The light-source lamp used in this projector is a high pressure mercury lamp. Be careful when disposing of the light-source lamp. If anything is unclear, please consult your dealer.
- Do not ceiling-mount the projector to a place which tends to vibrate; otherwise, the attaching fixture of the projector could be broken by the vibration, possibly causing it to fall or overturn, which could lead to personal injury.
- Use only the accessory cord designed for this product to prevent shock.

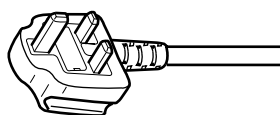
The power supply voltage rating of this product is AC 120 V, AC 100 V– AC 240 V, the power cord attached conforms to the following power supply voltage. Use only the power cord designated by our dealer to ensure Safety and EMC.

When it is used by other power supply voltage, power cable must be changed.

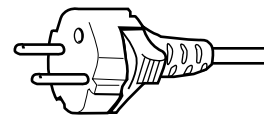
Ensure that the power cable used for the projector is the correct type for the AC outlet in your country.

Consult your product dealer.

Power cord

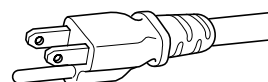


For United Kingdom



For European continent countries

Power cord



Power supply voltage: AC 120 V

***DO NOT allow any unqualified person to install the unit.**

Be sure to ask your dealer to install the unit (e.g. attaching it to the ceiling) since special technical knowledge and skills are required for installation.

If installation is performed by an unqualified person, it may cause personal injury or electrical shock.

POWER CONNECTION

WARNING:

Do not cut off the main plug from this equipment. If the plug fitted is not suitable for the power points in your home or the cable is too short to reach a power point, then obtain an appropriate safety approved extension lead or adapter or consult your dealer. If nonetheless the mains plug is cut off, remove the fuse and dispose of the plug immediately, to avoid a possible shock hazard by inadvertent connection to the main supply. If a new main plug has to be fitted, then follow the instruction given below:

WARNING:

THIS APPARATUS MUST BE EARTHED. IMPORTANT:
The wires in the mains lead on this product are colored in accordance with the following cord:
Green-and-yellow : Earth
Blue : Neutral
Brown : Live
As these colors may not correspond with the colored marking identifying the terminals in your plug, proceed as follows:

The wire which is colored green-and-yellow must be connected to the terminal which is marked with the letter E or the safety earth or colored green or green-and-yellow.
The wire which is colored blue must be connected to the terminal which is marked with the letter N or colored black.
The wire which is colored brown must be connected to the terminal which is marked with the letter L or colored red.
When replacing the fuse, be sure to use only a correctly rated approved type, re-fit the fuse cover.
IF IN DOUBT — CONSULT A COMPETENT ELECTRICIAN.
How To Replace The Fuse
Open the fuse compartment with the blade screwdriver, and replace the fuse.
(* An example is shown in the illustration below.)

POWER CONNECTION (United Kingdom only)

WARNING:

Do not cut off the main plug from this equipment.

If the plug fitted is not suitable for the power points in your home or the cable is too short to reach a power point, then obtain an appropriate safety approved extension lead or adapter or consult your dealer. If nonetheless the mains plug is cut off, remove the fuse and dispose of the plug immediately, to avoid a possible shock hazard by inadvertent connection to the main supply. If a new main plug has to be fitted, then follow the instruction given below:

WARNING:

THIS APPARATUS MUST BE EARTHED.

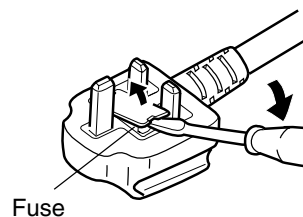
IMPORTANT:

The wires in the mains lead on this product are coloured in accordance with the following cord:
Green-and-yellow : Earth
Blue : Neutral
Brown : Live
As these colours may not correspond with the coloured marking identifying the terminals in your plug, proceed as follows:
The wire which is coloured green-and-yellow must be connected to the terminal which is marked with the letter E or the safety earth or coloured green or green-and-yellow.
The wire which is coloured blue must be connected to the terminal which is marked with the letter N or coloured black.
The wire which is coloured brown must be connected to the terminal which is marked with the letter L or coloured red.
When replacing the fuse, be sure to use only a correctly rated approved type, re-fit the fuse cover.

IF IN DOUBT — CONSULT A COMPETENT ELECTRICIAN.

How To Replace The Fuse

Open the fuse compartment with the blade screwdriver, and replace the fuse.
(* An example is shown in the illustration below.)



Caution

About burning-in of the D-ILA device

- **Do not allow the same still picture to be projected for a long time or an abnormally bright video image to be projected.**

Do not project video images with high-intensity or high contrast on a screen. The video image could be burnt into the D-ILA device.

Use special care when projecting video games or computer program images.

There is no problem with ordinary video cassette playback images.

Viewing conditions

- **Brightness of the room**

Please avoid having sunshine or light shine directly onto the screen. Images can only be well projected if the room is dark.

- **Do not view the screen continually for a long time**

Looking at the screen continually for a long time will cause your eyes to be tired. **Please rest your eyes sometimes.**

- **Image flicker due to installation condition or the environment**

Please do not view flickering images for too long as this causes poor eyesight.

Using the projector

- **Remove the Lens Cap when using the projector**

Please use the projector after removing the lens cap.

The cap may become deformed and this unit may break down due to heat.

How to use the [SCREEN TRIGGER] terminal cable

- **It may cause short circuit if the supplied [SCREEN TRIGGER] terminal cable is used directly. When using the cable, connect it to the screen before connecting to this unit.**

The [SCREEN TRIGGER] terminal of this unit outputs a DC +12 V / max. 100 mA signal. Short circuit will result in damage, fire or electrical shock.

- **Leave the connection of the screen to the installation contractor.**

It will result in damage, fire or electrical shock.

Care

- **Dirt in the cabinet**

Please wipe the cabinet clean with a soft cloth. In case of heavy soiling, please wipe it with a damp cloth soaked with a neutral detergent.

- **Since the cabinet may in time, get damaged or deteriorate in condition, (e.g. peeling paint):**

- Do not wipe with a stiff cloth.
- Do not wipe with force.
- Do not wipe with thinner or benzene.
- Do not spray chemicals like insecticide.
- Do not allow it to come into contact with rubber or vinyl materials for an extended period of time.

- **Cleaning the lens**

- Please use lens-cleaning paper (of the kind for cleaning spectacles, cameras etc) sold in the market for cleaning.
- Please do not use liquid-type cleansers as it may cause the coating mask on the surface to peel off.
- Please do not knock the surface of the lens as it damages easily.

Using the screen mode switch function

- This projector is equipped with a screen mode switch function that sets the screen size (aspect ratio and resize). If the set screen aspect ratio and size differs from that of the inputted images (e.g. images from TV programs), the projected image screen will differ from the original. Please bear this in mind when you choose the screen mode.
- Please keep in mind that making use of the screen mode switch function to alter screen images (aspect ratio and resize) in restaurants/ hotels etc, for public viewing, in the pursuit of profit may constitute an infringement of the Copyright Act.

Contents

SAFETY PRECAUTIONS	2	Adjustments and Settings Using Menus	32
Caution	5	The Menu Structure	32
Accessories	6	The Menu Operation Buttons	35
Controls and Features	7	The Procedure for Menu Operation	36
Front Side/ Top Surface/ Left Side	7	The Menu Configuration	37
Rear Side/ Right Side/ Bottom Surface	8	1 "Image adj." menu	37
Connector Panel	9	2 "Color temp." menu	37
Control Panel on the Projector	10	3 "Set up" menu	37
Indicator Display on the Control Panel	10	4 "Position" menu	38
Remote Control Unit	12	5 "Aspect ratio" menu	38
Loading Batteries into the Remote Control	14	6 "Decoder" menu	38
		7 "Resize" menu	38
		8 "Logo" menu	38
		9 "Capture menu"	38
		10 "Capture start"	39
		11 "Options" menu ("Page 1")	39
		12 "Color profile" menu	39
		13 "Options" menu ("Page 2")	39
		14 "Language" menu	39
		15 "Information" menu	40
Installing the Projector	15	Setting "Aspect ratio" and "Resize"	41
Precautions for Installation	15	Setting the "Aspect ratio"	41
Installing the Projector against the Screen	16	Setting the "Resize"	43
Mounting the Projector	16		
Projection Distance and Screen Size	17	Editing and Projecting Logo	45
Effective Range and Distance of the Remote Control Unit	18		
		Replacing the Lamp	47
Connecting to Various Devices	19	The light source lamp and its lamp time	47
Signals that can be input into the Projector	19	The procedure for lamp replacement	47
Connecting to Devices	21	Resetting the lamp time	49
Connecting the Power Cord (supplied)	24		
		Cleaning and Replacing the Filter	50
Basic Operations	25	Troubleshooting	51
Basic Operation Procedures	25	What to do when these messages are displayed	53
1. Power On	25	Warning Indication	55
2. Selecting the image to be projected	25	Specifications	56
3. Adjusting the Zoom Ring (the screen size)	26		
4. Adjusting the Focus Ring(Focus)	26		
5. Adjusting the Sound Volume	27		
6. Power Off	27		
Frequently used Convenient Functions	28		
Enlarging the Image	28		
Turning Off Image and Sound	29		
Displaying a Still Picture	29		
Removing the Trapezoidal Distortion of the Image	30		
Using the Quick Alignment function	31		

Accessories

The following accessories are packed together with this projector.
Please confirm all items. If any item is missing, please contact your dealer.

Instructions	x 1
Guarantee	x 1
Power Cord	x 1
Remote Control (RM-MSX21)	x 1
[AA/R6]-size Battery (for operation confirmation)	x 2
AV connection cable (approximately 2 m: RCA Pin Plug)	x 1
[SCREEN TRIGGER] terminal cable*	x 1

* Cable for controlling roll-up screen that supports [SCREEN TRIGGER]. Connect the connector of the cable to the [SCREEN TRIGGER] terminal of this unit. Consult the installation contractor for connection to the screen.
In addition, read 'How to use the [SCREEN TRIGGER] terminal cable' on page 5 when using the cable.

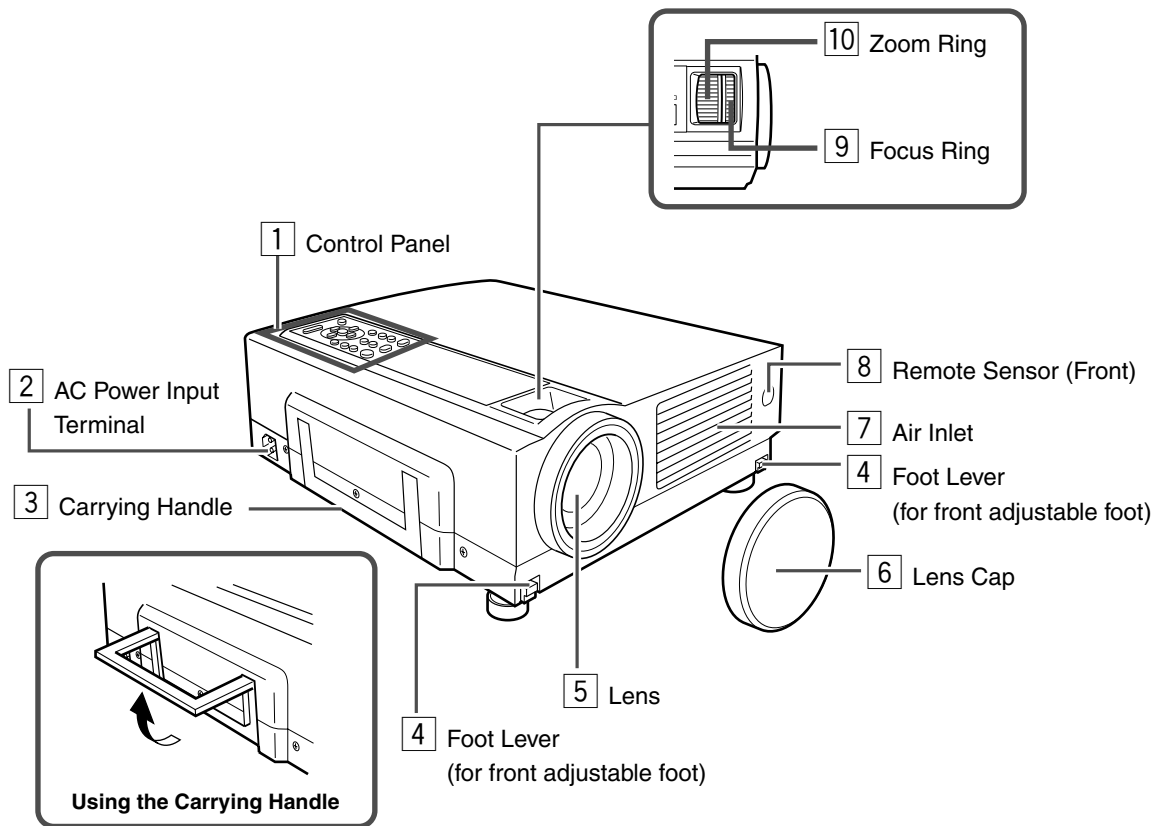
Optional Accessories

* Please ask your authorized dealer for the details.

- **Replacement lamp (lamp unit) 456-9100HC**
- **Replacement filter**
 - Inner filter : LC32058-002A
 - Lower filter : LC32087-002A

Controls and Features

Front Side/Top Surface/ Left Side



1 Control Panel

For details, See 'Control Panel on the Projector'.
(☞ page 10, 11)

2 AC Power Input Terminal

This is where the supplied power cord is connected to.
(☞ page 24)

3 Carrying Handle

Use this handle when carrying the projector.

4 Foot Lever (for front adjustable foot)

Use when extending and retracting the front foot.
(☞ page 15)

5 Lens

The lens is a 1.3 x (zoom ratio) manual zoom lens.
Before projection, remove the lens cap. (☞ page 17, 24)

6 Lens Cap

It is recommended that the cap be fitted on the lens to prevent it from becoming dirty when the projector is not in use.
(☞ page 24)

7 Air Inlets (on the front, right, and bottom side of projector)

The air inlets absorb air to cool the internal components of the projector. Do not block or allow warm air to blow into them as it may cause damage.

- The air inlet filter on the right side cannot be removed. Please clean the filter regularly with, for example, a vacuum cleaner.

8 Remote Sensor (Front)

When operating with the remote control, aim it towards this sensor. (☞ page 18)

- A remote sensor is also provided at the rear of the projector.

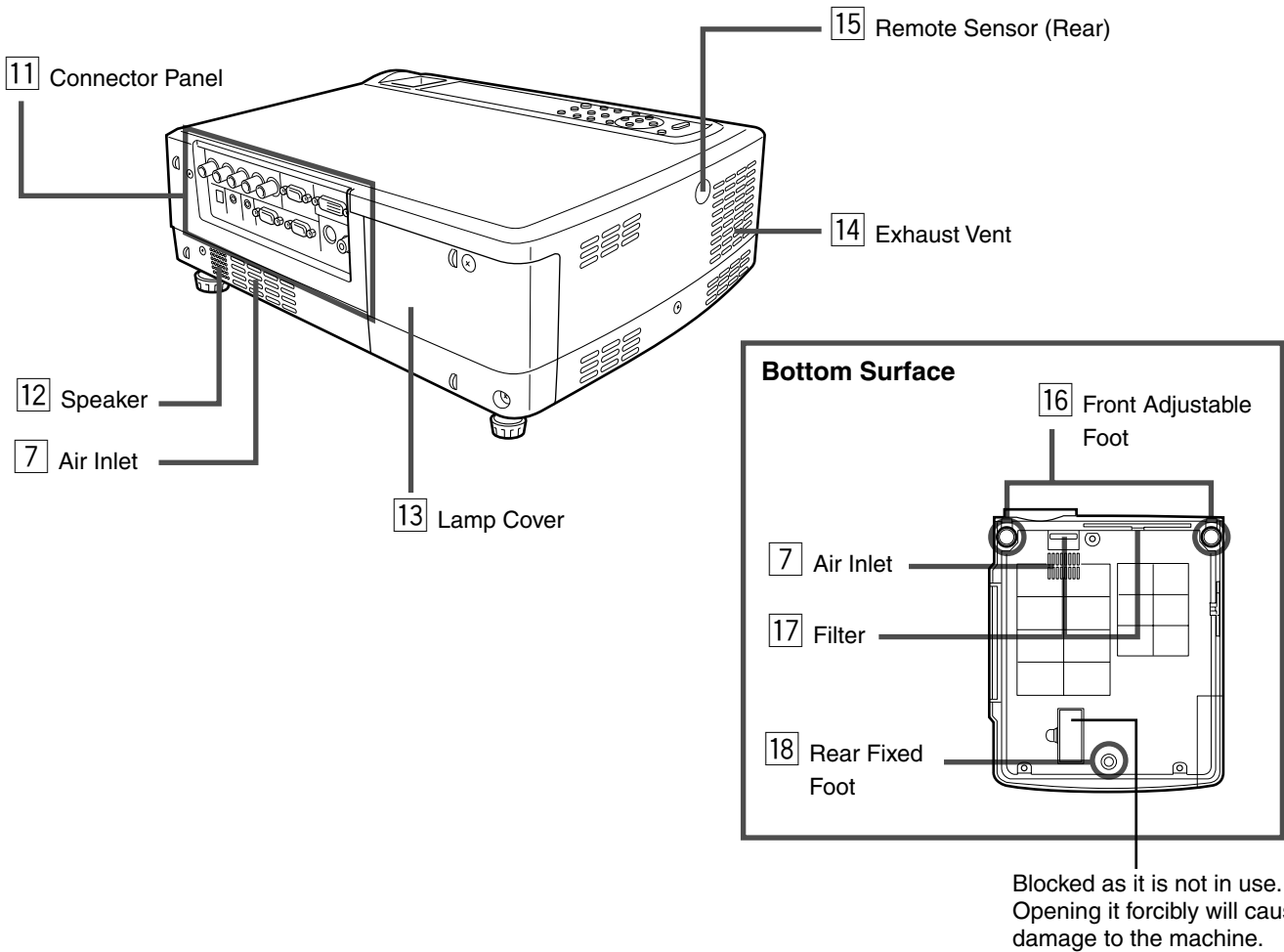
9 Focus Ring

Used to manually focus the projected image on the screen.
(☞ page 26)

10 Zoom Ring

Used to manually zoom the projected image on the screen.
(☞ page 26)

Rear Side/ Right Side/ Bottom Surface

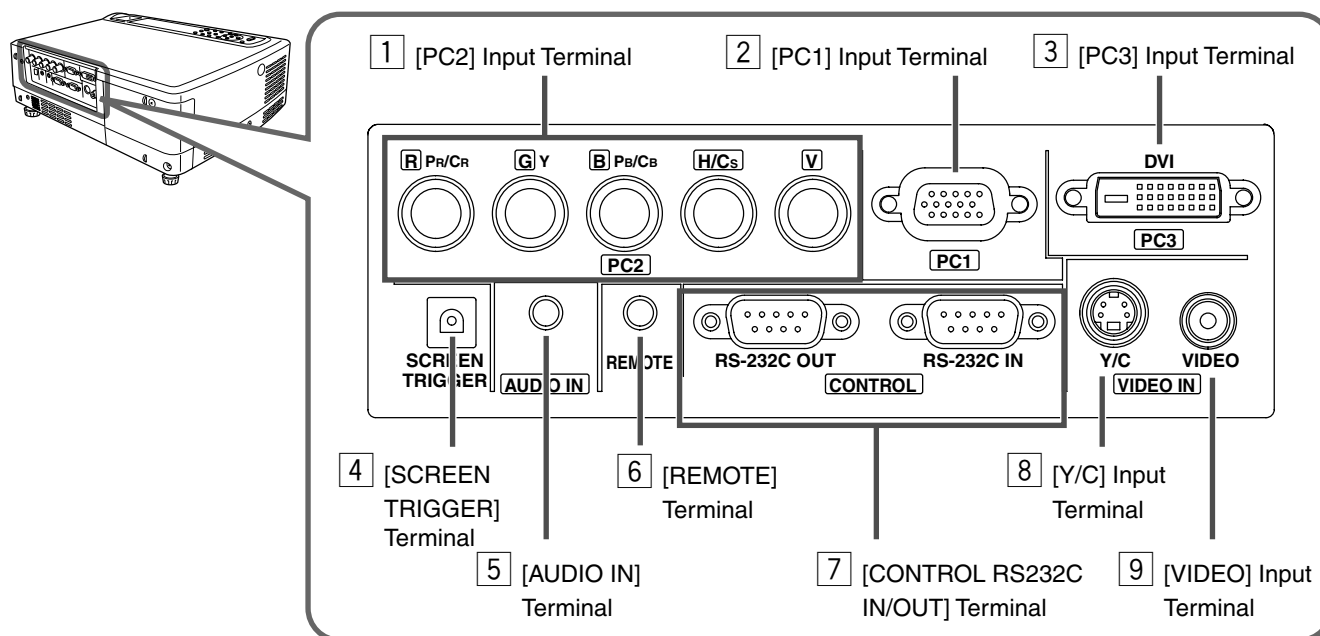


- 11 Connector Panel**
For details, refer to 'Connector Panel'. (☞ page 9)
- 12 Speaker**
Built-in speaker located here.
- 13 Lamp Cover**
Remove this cover when replacing the lamp. (☞ page 47)
- 14 Exhaust Vent**
Warm air is expelled through these vents to keep the system cool. Please do not block the exhaust vents.

- 15 Remote Sensor (Rear)**
When operating with the remote control, aim it towards this sensor. (☞ page 18)
 - A remote sensor is also provided at the front of the projector.
- 16 Front Adjustable Foot (for adjusting the height and angle)**
It is set at the lowest position when shipped from the factory. The foot can be adjusted to a maximum angle of +6° and a maximum length of 31 mm. (☞ page 15)
- 17 Filter**
Cleans air drawn in from the air inlet. Please clean the filter regularly with e.g., a vacuum cleaner. (☞ page 50)
- 18 Rear Fixed Foot**

Blocked as it is not in use.
Opening it forcibly will cause damage to the machine.

Connector Panel



1 [PC2] Input terminal (BNC x 5)

This is an input terminal for component signals (Y, Cb, Cr) or DTV-format (Y, Pb, Pr) signals. Devices which have component signal output terminals can be connected. This terminal can also be used as multipurpose video input terminals that allow input of the following signals: analog RGB signals, vertical sync (V) signals, and horizontal sync (H) signals/ composite signals (Cs). Devices which have analog RGB signals output terminals can be connected.

(☞ page 21, 22)

To use this terminal, the “PC2(BNC)” item in the “Options” menu must be set correctly according to the input signals. (☞ page 39)

- Input of external sync signals is automatically detected. Detection of H/V signals or Cs signals causes automatic switching to external sync. The priority order is H/V>Cs.
- When computer signals are input, the uppermost edge of the image may appear to bow if the sync signal input is a composite sync (Cs) or G on sync signal. In this case, please use separate sync signals for vertical sync (V) and horizontal sync (H).

2 [PC1] Input terminal (D-sub 3 rows 15 pin)

This is an input terminal dedicated to computer signals (RGB Video signals and sync signals).

Connect the display output terminal of the computer to this terminal. When a Macintosh computer is to be connected, please use the conversion adapter (sold separately) for Mac. (☞ page 22)

- When computer signals are input, the uppermost edge of the image may appear to bow if the sync signal input is a composite sync (Cs) or G on sync signal. In this case, please use separate sync signals for vertical sync(V) and horizontal sync(H).

3 [PC3] Input terminal (DVI-D 24 Pin Dual/ Single)

HDCP compatible video signals (480p, 720p 60/59 Hz, 1080i 60/59 Hz) and input terminal for personal computer (PC) signal. Connect the display output terminal of the computer to this terminal. (☞ page 22)

- The menu screen for HDCP compatible signal input is the same as when PC input is selected.

4 [SCREEN TRIGGER] Terminal

The signal output for controlling roll-up screen that supports [SCREEN TRIGGER]. Outputs DC 12 V / max. 100 mA when power is on.

(Tip = DC +12 V, Sleeve = Gnd)

※ Before using the supplied cable, read ‘How to use the [SCREEN TRIGGER] terminal cable’ on page 5.

5 [AUDIO IN] (audio) Terminal (mini jack)

This is the audio input terminal for devices connected to [PC1], [PC2], [PC3], [VIDEO] or [Y/C]. Connect the audio output terminal of the device to this terminal.

(☞ page 21, 22)

- When [PC1], [PC2], [PC3], [VIDEO] or [Y/C] input is being selected, the inputted audio signals will be reproduced by the projector speaker. (Audio output for this projector is monaural.)

6 [REMOTE] Terminal (stereo mini jack)

When the remote control is unable to work due to rear projection etc., the [REMOTE] terminal can be used to connect an external sensor to the projector. The external sensor is not generally sold. Please check with your authorized dealer.

7 [CONTROL RS232C IN/OUT] Terminal (D-sub 9 Pin)

This is the RS-232C interface-specific terminal. The projector can be controlled by a computer connected externally. More than one projector can be controlled using both the [RS-232C IN] and [RS-232C OUT] terminals.

(☞ page 23)

- For details, please check with your dealer.

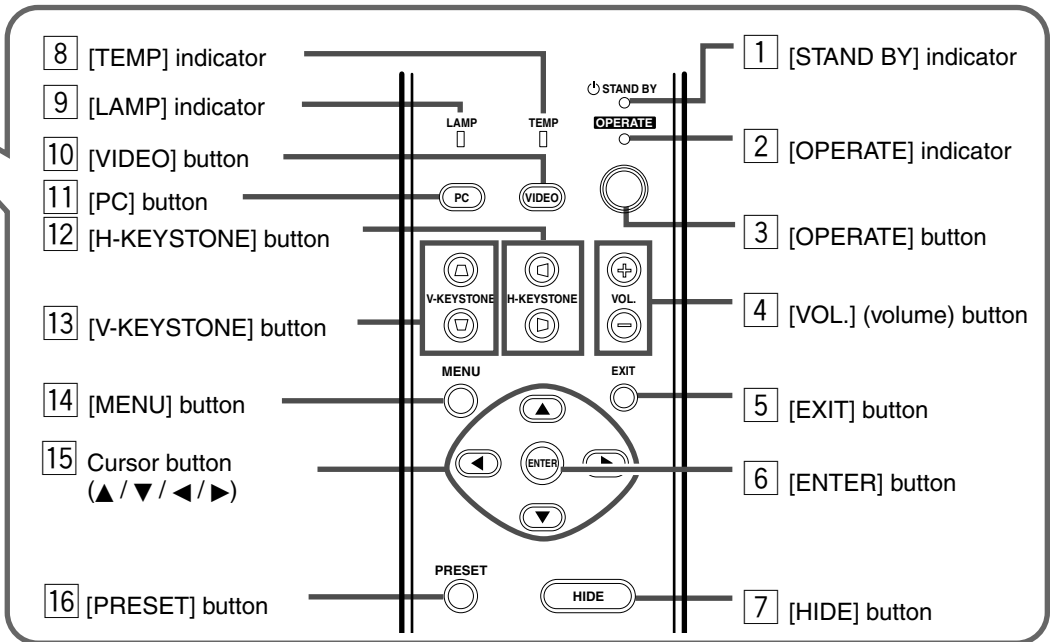
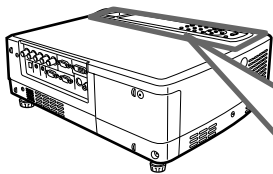
8 [Y/C] Input Terminal (Mini DIN 4 Pin)

This is the input terminal for Y/C (S-Video) signals. Connect this terminal to the S-video output terminal of a video deck, etc. (☞ page 21)

9 [VIDEO] Input Terminal (RCA pin jack)

This is an input terminal for composite video signals. Connect this terminal to the composite video output terminal of a VCR, etc. (☞ page 21)

Control Panel on the Projector



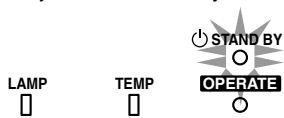
Indicator Display on the Control Panel

Stand-by, operate and cool down modes, together with other operational activities are indicated by differing combinations of Indicators appearing on the Control Panel.

• Please refer to Page 47 for explanations on warning indication for ^{*1}, and Page 55 for ^{*2}.

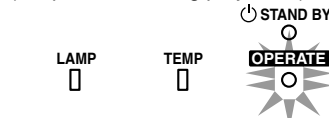
[STAND BY] light on

Projector is in stand by mode



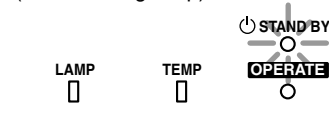
[OPERATE] light on

Projector is in operate mode
(In operation/ during projection)



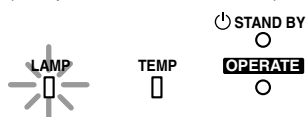
[STAND BY] blinking

Projector is in cool down mode
(when cooling lamp)



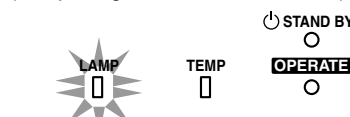
[LAMP] blinking^{*1}

Lamp life has expired
(Lamp time over 2000 hours)



[LAMP] light on^{*1}

The time to replace the lamp is near
(Lamp usage time over 1900 hours)



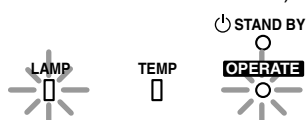
[LAMP] and [STAND BY] blinking^{*2}

Lamp does not light up and projector is unable to project



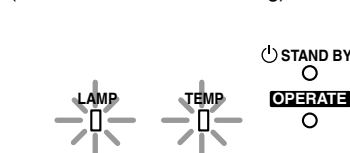
[LAMP] and [OPERATE] blinking simultaneously^{*1, *2}

Lamp has turned off during projection
Time to replace the lamp (when lamp usage time has reached 2010 hours)



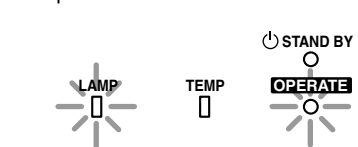
[LAMP] and [TEMP] blinking^{*2}

Circuits are not functioning properly
(Abnormal circuit functioning)



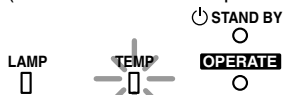
[LAMP] and [OPERATE] blinking alternately^{*2}

Lamp has been removed



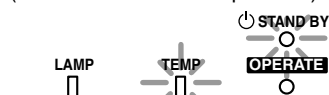
[TEMP] blinking^{*2}

Internal temperature is abnormally high
(Abnormal internal temperature)



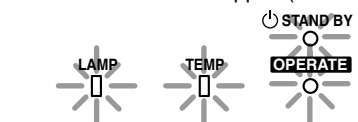
[TEMP] and [STAND BY] blinking^{*2}

Temperature at exhaust vents is high
(Abnormal external temperature)



All blinking^{*2}

When inner fan has stopped (fan lock)



Control Panel on the Projector

- 1 **[STAND BY] Indicator**
Light on : In stand by mode.
Blinking : In cool down mode.
- 2 **[OPERATE] Indicator**
Light on : During projection.
- 3 **[OPERATE] button**
When this projector is in standby mode, pressing this button for more than 1 second will turn the projector on and cause the [OPERATE] indicator to light up. Press it one second or more again, and the projector goes into the cool down mode and finally into stand by mode. (☞ page 25)
 - The [OPERATE] button will not work within approximately 1 minute of the light-source lamp being turned on. Hence wait about 1 minute before pressing.
- 4 **[VOL.] ⊕ / ⊖ buttons**
Use these buttons to adjust the sound volume. (☞ page 27)
- 5 **[EXIT] button**
Press this button to display the previous menu (For example, from sub menu to main menu). Pressing this button when the main menu is displayed will erase the menu. (☞ page 35)
- 6 **[ENTER] button**
Press this button to show the next menu (For example, from main menu to sub-menu). It is also used when [ENTER] is displayed against an item on the menu screen, or to choose the "Reset" option etc. (☞ page 35)
- 7 **[HIDE] button**
Use this button to temporarily halt the audio and video output. Press again to resume. (☞ page 29)
- 8 **[TEMP] Indicator**
Blinking : Indicates the temperature inside the projector is abnormally high.
- 9 **[LAMP] Indicator**
Light on : Indicates the lamp has been used for more than 1900 hours.
Blinking : Indicates the lamp has been used for more than 2000 hours.
Please change the lamp. (☞ page 10, 47, 55)
- 10 **[VIDEO] button**
Use this button to select a device such as a video connected to the [VIDEO IN] terminal ([VIDEO] or [Y/C] Input terminal) of the projector. (☞ page 25)
- 11 **[PC] button**
Use this button to select a device connected to the [PC1], [PC2] or [PC3] terminals. (☞ page 26)
- 12 **[H-KEYSTONE] button**
Use this button to remove the horizontal trapezoidal distortion of the image projected on the screen. (☞ page 30)
- 13 **[V-KEYSTONE] button**
Use this button to remove the vertical trapezoidal distortion of the image projected on the screen. (☞ page 30)
- 14 **[MENU] button**
Use this button to enter or exit the menu mode. When the main menu is displayed, pressing this button will cause the menu to disappear. (☞ page 35)
- 15 **Cursor (▲ / ▼ / ◀ / ▶) buttons**
These buttons are used in the menu mode to select an item, adjust the value etc. (☞ page 35)
- 16 **[PRESET] button**
This [PRESET] button only works as a reset button for the [VOL.], [V-KEYSTONE] and [H-KEYSTONE] adjustments done on the control panel and the [VOLUME], [V-KEYSTONE], [H-KEYSTONE] and [DIGITAL ZOOM] adjustments done on the remote control. (☞ page 28, 30)
When adjusting the volume, keystone or digital zoom (when the setting is displayed on the screen) the adjusted value is reset to that which was set when the projector was shipped from the factory. This button does not work for the menu (submenu) items.

About Cool Down mode

After projection, the heated lamp will go through a 90 seconds cool-down period known as the cool down mode. This function is to prevent heat from the heated lamp causing damage and deformation to the internal components of the projector. It also prevents lamp breakage and shortened lamp life.

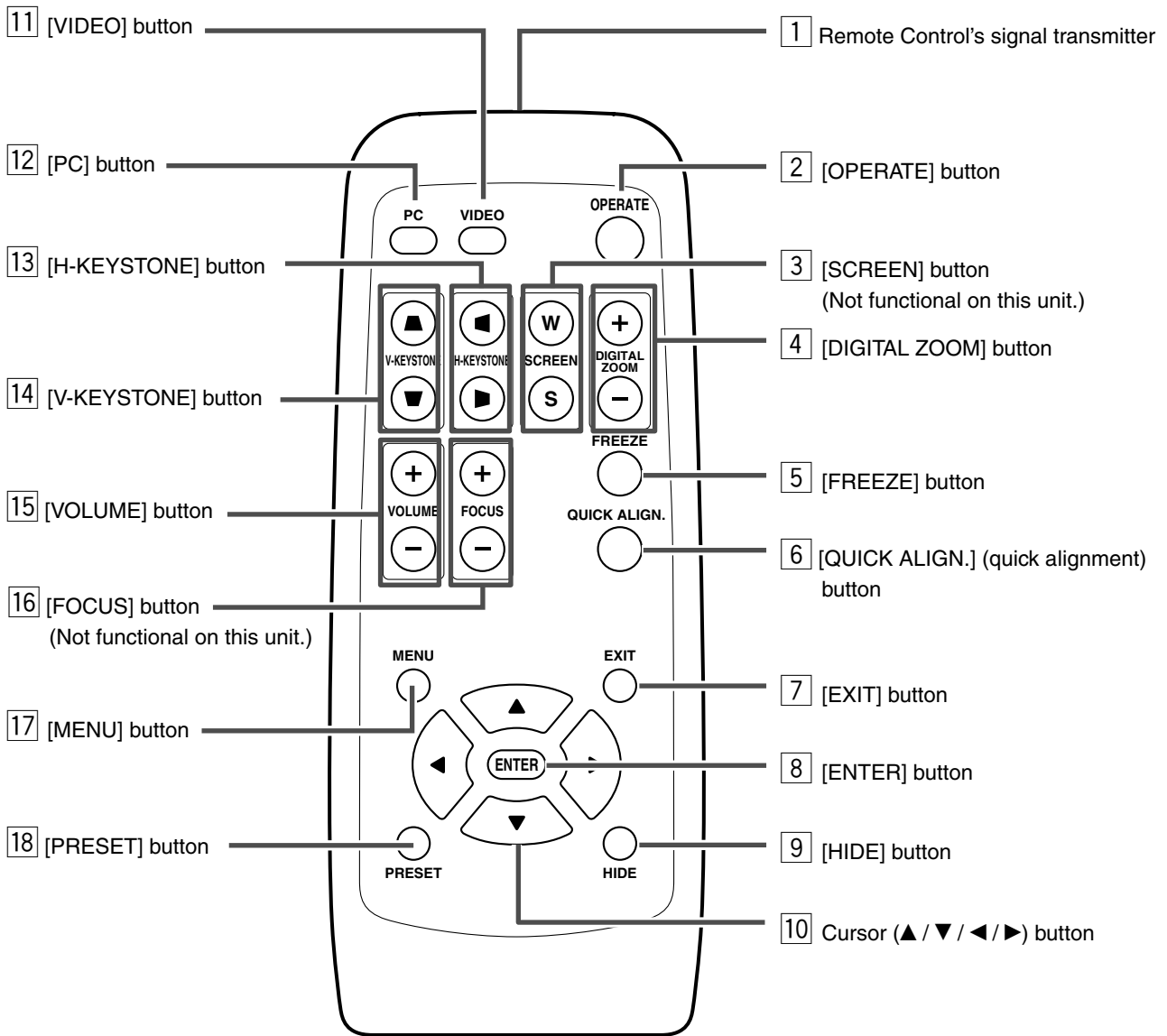
The Cool down mode is indicated by the blinking [STAND BY] indicator. During the cool down mode, pressing the [OPERATE] button will not turn on the projector.

After the cool down process is completed, the projector will automatically change to stand by mode.

Note

Please do not pull out the plug from the power outlet during cool down mode. Please also do not block the exhaust vent by standing the projector on its end or laying it on its side.

Remote Control Unit



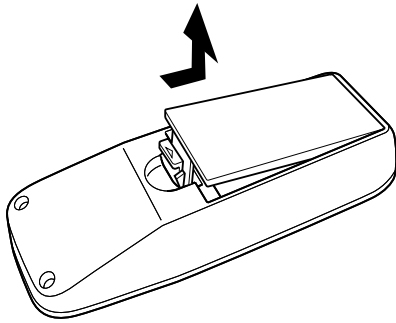
- 1 **Remote Control's signal transmitter**
(☞ page 18)
- 2 **[OPERATE] button**
When the projector is in standby mode, pressing this button for one second or more will turn on the projector and light up the [OPERATE] indicator. Press it one second or more again and the projector will turn off, cool down and finally enter the standby mode. (☞ page 25)
 - The [OPERATE] button will not work for approximately 1 minute from when the light-source lamp is turned on. Wait approximately 1 minute before pressing.
- 3 **[SCREEN] \mathbb{W} / \mathbb{S} button**
Not functional on this unit.
- 4 **[DIGITAL ZOOM] \oplus / \ominus buttons**
This digital zoom function can magnify the image by up to four times on the screen. (☞ page 28)
 - There will however be some inevitable loss of image quality when images are enlarged.
- 5 **[FREEZE] button**
This button allows the image to be retained in the projector memory and stills the picture on the screen. Press the button once to freeze the picture and again to de-freeze. (☞ page 29)
- 6 **[QUICK ALIGN.] (quick alignment) button**
Use this button to automatically adjust the projected image's (i)horizontal and vertical position, (ii) Width and display area, etc. During alignment, the message "QUICK ALIGN..." appears on the screen and disappears when alignment is complete. (☞ page 31)
 - The Quick Alignment function only works when the signal is input from either the [PC1] or [PC2] terminal. It does not work when the signal is input from the [VIDEO] input terminal or the [Y/C] input terminal.
 - When input signal from [PC3] input terminal is received, "QUICK ALIGN..." is displayed but it is not functional.
- 7 **[EXIT] button**
Press this button to display the previous hierarchical menu (For example, from sub-menu to main menu). When the main menu is displayed, pressing this button will cause the menu to disappear. (☞ page 35)
- 8 **[ENTER] button**
Press this button to show the next hierarchical menu (For example, from main menu to sub menu). It is also used when [ENTER] is displayed against the item on the menu screen or to select the "Reset" menu. (☞ page 35)
- 9 **[HIDE] button**
Use this button to temporarily halt the audio and visual output. Press again to resume. (☞ page 29)
- 10 **Cursor (\blacktriangle / \blacktriangledown / \blacktriangleleft / \blacktriangleright) button**
These buttons are used in the menu mode to select an item, adjust the value etc. (☞ page 35)
- 11 **[VIDEO] button**
Use this button to select a device such as a video connected to the [VIDEO IN] terminal ([VIDEO] or [Y/C] Input terminal) of the projector. (☞ page 25)
- 12 **[PC] button**
Use this button to select a device connected to the [PC1], [PC2] or [PC3] terminal of the projector. (☞ page 26)
- 13 **[H-KEystone] button**
Use this button to remove the horizontal trapezoidal distortion of the image projected on the screen. (☞ page 30)
- 14 **[V-KEystone] button**
Use this button to remove the vertical trapezoidal distortion of the image projected on the screen. (☞ page 30)
- 15 **[VOLUME] \oplus / \ominus button**
Use these buttons to adjust the sound volume. (☞ page 27)
- 16 **[FOCUS] \oplus / \ominus button**
Not functional on this unit.
- 17 **[MENU] button**
Use this button to enter or exit the menu mode. When the main menu is displayed, press this button and it will disappear. (☞ page 35)
- 18 **[PRESET] button**
This [PRESET] button only works as a reset button for the [VOL.], [V-KEystone] and [H-KEystone] adjustments done on the control panel and the [VOLUME], [V-KEystone], [H-KEystone] and [DIGITAL ZOOM] adjustments done on the remote control. (☞ page 28, 30)
When adjusting the volume, keystone or digital zoom (when the setting is displayed on the screen) the adjusted value is reset to that which was set when the projector was shipped from the factory. This button does not work for the menu (submenu) items.

Loading Batteries into the Remote Control

Please load batteries into the remote control. If the remote control starts to work erratically, replace the batteries.

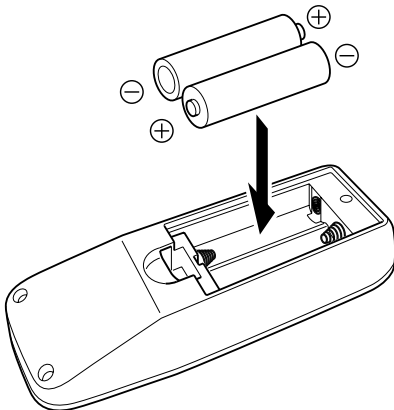
1. Open the back cover

- Push the hook on the back cover lightly in the direction of the arrow and lift it up.



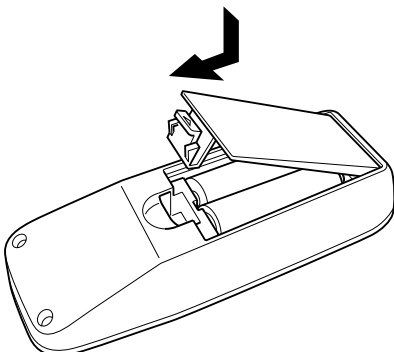
2. Load the batteries

- Place the two supplied batteries (AA/R6-size) into the remote control as illustrated below. To prevent short circuit, be sure to insert the minus \ominus end of the battery first.



3. Close the back cover

- Close the back cover by inserting the end first and pressing down until a click is heard.



Precautions for using batteries

If batteries are used incorrectly, they may crack or leak. This could cause fire, burn, malfunction, staining or damaging of the surroundings.

Beware of the following:

- Do not mix new and old batteries.
- Do not mix different types of batteries as they are different in characteristics.
- Place batteries so they match the polarities indicated on the cartridge.
- Be sure to insert the minus \ominus end in first to avoid short-circuiting.
- Do not put batteries into a fire or try to recharge them.
- Use only designated batteries.
- Remove the batteries if the remote control is not to be used for a prolonged period.

Battery Life

Batteries run for six months to one year in normal use. However, the batteries supplied are for confirming operation and may not run that long. When the remote control starts failing to work properly, replace the batteries with new ones.

Battery Leakage

When the batteries are totally exhausted and can no longer be used, replace them immediately. Leaving the batteries in the battery compartment causes battery leakage which in turn causes malfunction. Further, in cases where the leakage comes to contact with the skin, wipe it away with a cloth, otherwise skin problems may occur.

Installing the Projector

Precautions for Installation

Please read the following properly when installing the projector.

Installation Environment

Please do not install or use this projector in the following places. The projector is a precision device and doing so could cause a fire or malfunction.

- Where there is water, humidity or dust
- Where the projector may be subjected to oil, smoke or cigarette smoke
- On a soft surface such as a carpet or cushion
- Where the projector may be subjected to direct sunlight
- Where temperature is high or low

Allowable operation temperature range : +5 °C to +35 °C

Allowable relative humidity range : 20 % to 80 %
(no condensation)

Allowable storage temperature range : -10 °C to +60 °C

- Any room in which there is smoke and grease
Even where smoke and grease levels are minimal, prolonged exposure will affect the projector. The projector emits heat and optical components are cooled down by taking in large amount of air. The optical path being soiled by grease/dirt can cause images to become dark and the color projection to deteriorate. After soiling, removing grease/dirt totally from the optical parts is not possible.

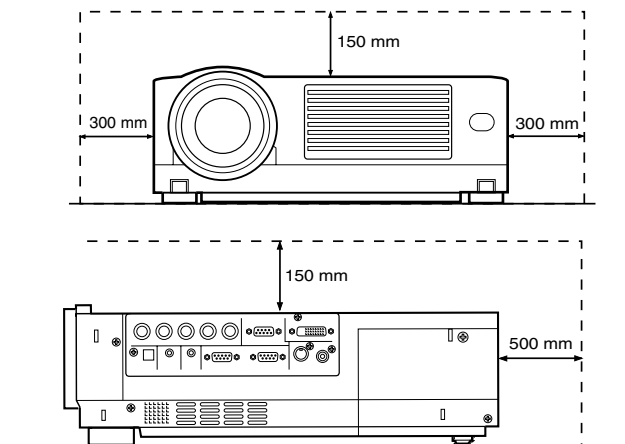
Precaution for Usage

This projector uses a light-source lamp which reaches high temperatures when projecting.

Please DO NOT use it in the following ways as doing so may result in fire or malfunction.

- Projecting images while the projector is on its side.
- Projecting images outside the specified angle.
Do not use the projector while it is set more than $\pm 5^\circ$ horizontally (left/right), or more than $\pm 25^\circ$ vertically (up/down). This could cause color variation or shorten the lamp life.
- Use while blocking the exhaust vents.

Minimum Space Required

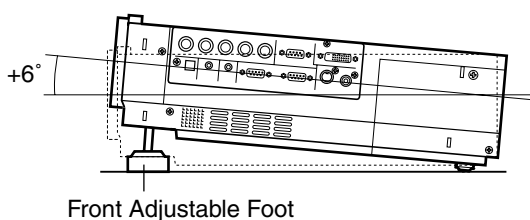


Do not use a cover which may enclose the projector air-tight or block the exhaust vents. Allow sufficient space around the projector. When the projector is enclosed in a space of the following dimensions, use an air conditioner so that internal and external temperatures are the same.

Adjusting the Inclination of the Projector

The vertical angle and leveling of the projector can be adjusted with the adjustable feet at the bottom of the projector.

Vertical angle adjustment range

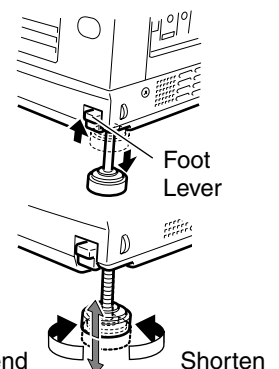


Adjusting the vertical angle of the projector

- While pushing the lever upward, raise the projector. The maximum extension is approximately 31 mm. To retract the foot, push the lever and lower the projector slowly; the projector is fixed at the position where you release the lever.

Adjusting the level of the projector minutely

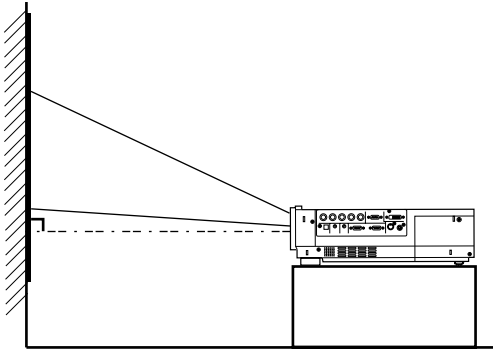
- Lift the projector, rotate the front adjustable foot, and adjust the horizontal angle until the projector is level.



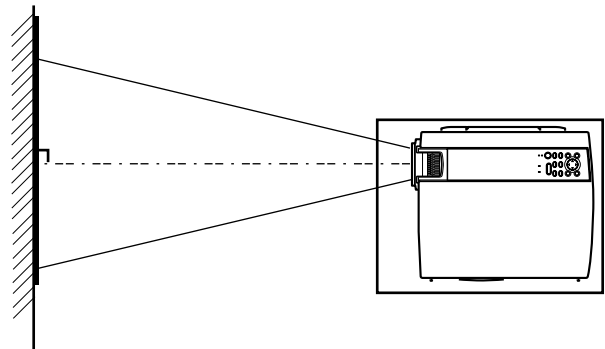
Installing the Projector against the Screen

The picture quality may deteriorate when performing KEYSTONE compensation. It is recommended to place the projector perpendicularly to the screen.

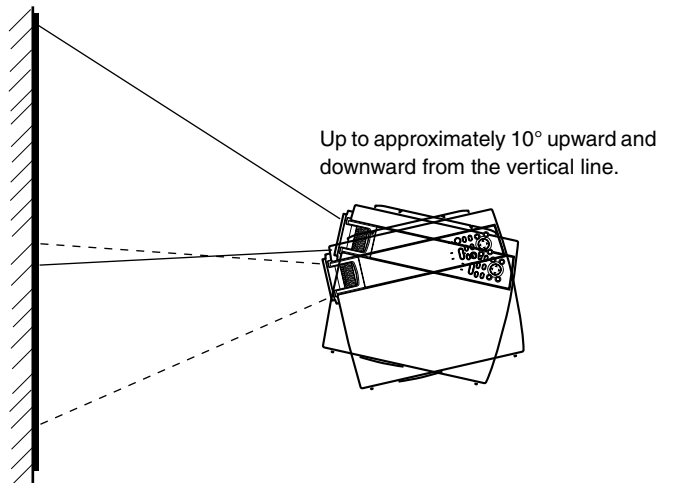
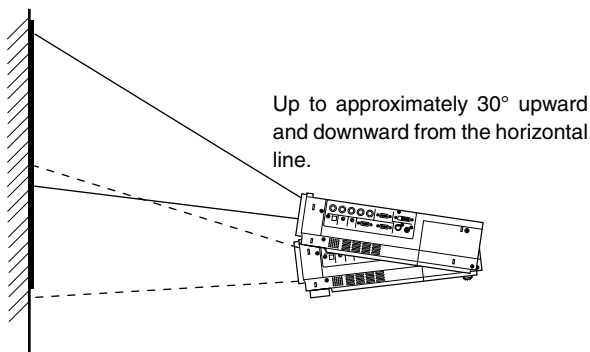
■ Side View



■ Top View



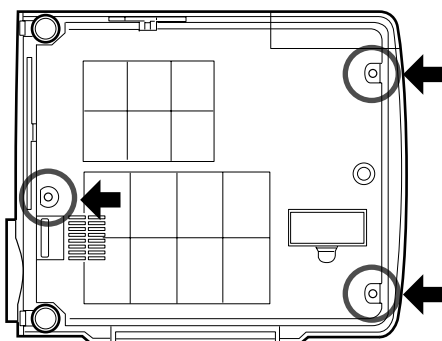
- Trapezoidal-distortion can be corrected using the [KEYSTONE]* buttons on the projector. (☞ page 30)



* If the KEYSTONE compensation is used simultaneously for upper/lower/left/right directions, the compensating range will decrease.

Mounting the Projector

When mounting of the projector is required, do it using the embedded three screw holes (M6 nuts) at the bottom of the projector.



Precaution for ceiling-mount

- To ceiling-mount and adjust the projector, special expertise and techniques are necessary. Be sure to ask your dealer or specialist to perform the work.
- Do not mount on places that will be subjected to knocks and vibrations.
- As the depth of the screw holes is 10 mm, use screws shorter than 10 mm but longer than 6 mm. Otherwise, the screws will damage the internal parts of the projector causing malfunction.

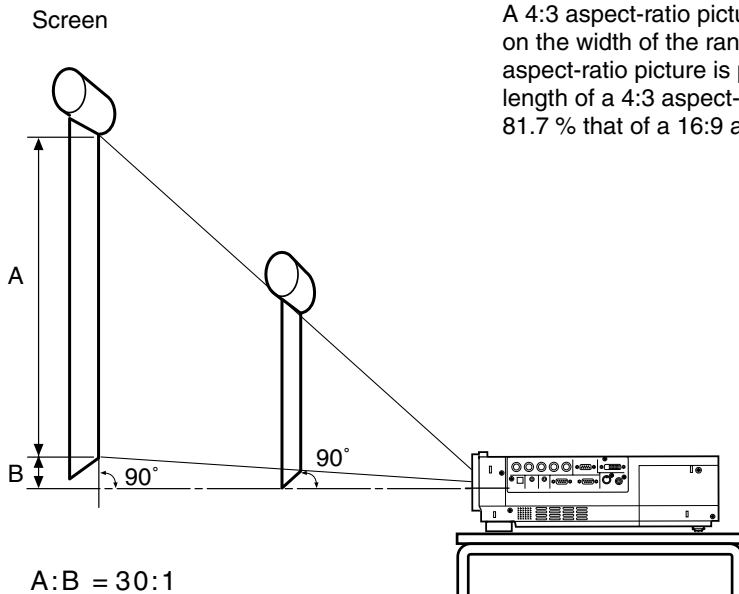
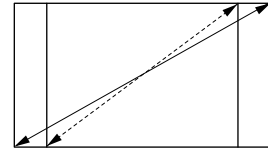
Projection Distance and Screen Size

- This projector uses 1.3x manual zoom lens for projection.
- Although the focusable projection distance is about 1.6 m ~ 12 m, the projection distance recommendable for performance is about 2 m ~ 8 m. Install the projector within this range and adjust the screen size when the aspect ratio of the screen is 16:9.
- If the KEYSTONE is adjusted, the screen becomes smaller. (☞ page 30)

Screen installation

16:9 and 4:3 Screen

A 4:3 aspect-ratio picture is projected based on the width of the range in which a 16:9 aspect-ratio picture is projected. The diagonal length of a 4:3 aspect-ratio screen is about 81.7 % that of a 16:9 aspect-ratio screen.



Relationship between projection distance and projection screen size

Projection screen size of 16:9 aspect Ratio (Diagonal length)	Approximate projecting distance	
	W (Wide)	T (Tele-)
Type 36.7 (approx. 93.2 cm)	(approx. 1.56 m)	~ (approx. 2.05 m)
Type 40 (approx. 101.6 cm)	(approx. 1.71 m)	~ (approx. 2.24 m)
Type 60 (approx. 152.4 cm)	(approx. 2.59 m)	~ (approx. 3.38 m)
Type 80 (approx. 203.2 cm)	(approx. 3.47 m)	~ (approx. 4.53 m)
Type 100 (approx. 254.0 cm)	(approx. 4.35 m)	~ (approx. 5.67 m)
Type 120 (approx. 304.8 cm)	(approx. 5.23 m)	~ (approx. 6.82 m)
Type 140 (approx. 355.6 cm)	(approx. 6.11 m)	~ (approx. 7.96 m)
Type 160 (approx. 406.4 cm)	(approx. 6.99 m)	~ (approx. 9.11 m)
Type 180 (approx. 457.2 cm)	(approx. 7.87 m)	~ (approx. 10.25 m)
Type 200 (approx. 508.0 cm)	(approx. 8.75 m)	~ (approx. 11.40 m)
Type 220 (approx. 558.8 cm)	(approx. 9.64 m)	~ —
Type 240 (approx. 609.6 cm)	(approx. 10.52 m)	~ —
Type 260 (approx. 660.4 cm)	(approx. 11.40 m)	~ —
Type 275 (approx. 698.5 cm)	(approx. 12.06 m)	~ —

- The projection screen sizes and projecting distances in the table above are provided only as a guide (reference). Please use them during installation. The projected image size may vary depending on the manufacturing tolerance of the projection lens. Please use the 'Wide side' for sizes bigger than Type 200.

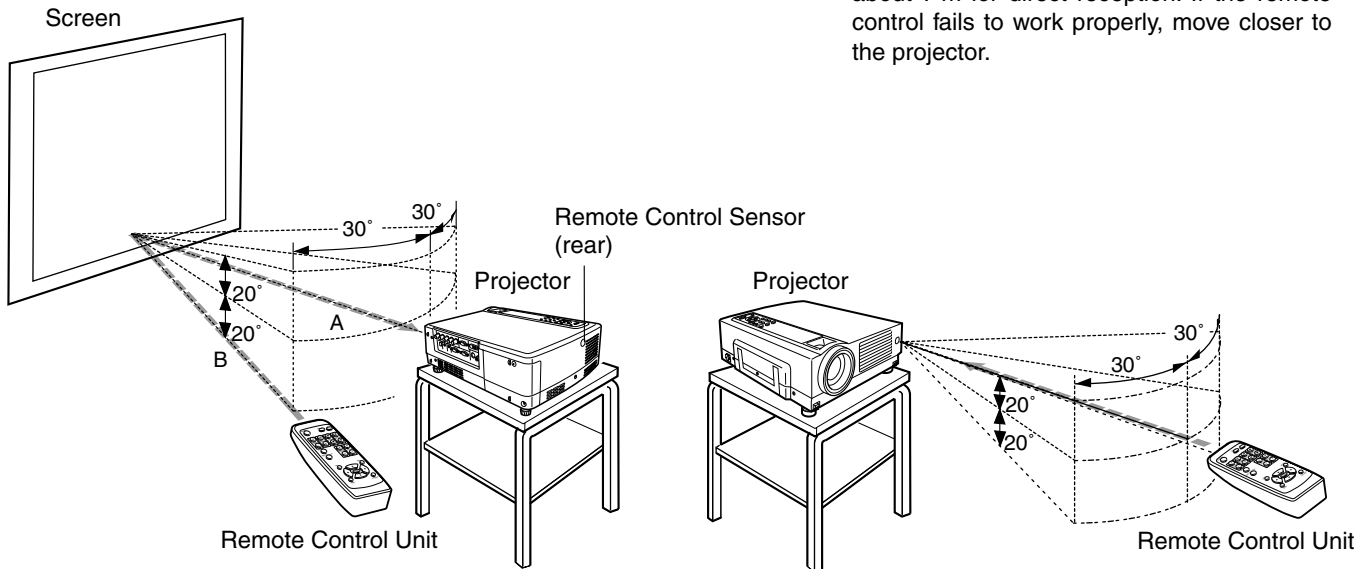
Effective Range and Distance of the Remote Control Unit

■ Using as a wireless remote control unit

The operable distance of the remote control unit is about 7 m for direct reception. The remote control unit can be used by having the transmission signal reflected off a screen. In this case, please set **the total distance A + B where A is the distance from projector to screen and B is the distance from screen to remote control, within 7 m**. The operable angles of the remote control unit are 30° right and left, and 20° up and down.

- As the effect of signals reflected from the remote control unit differ with the type of screen used, effective range and distance may decrease.

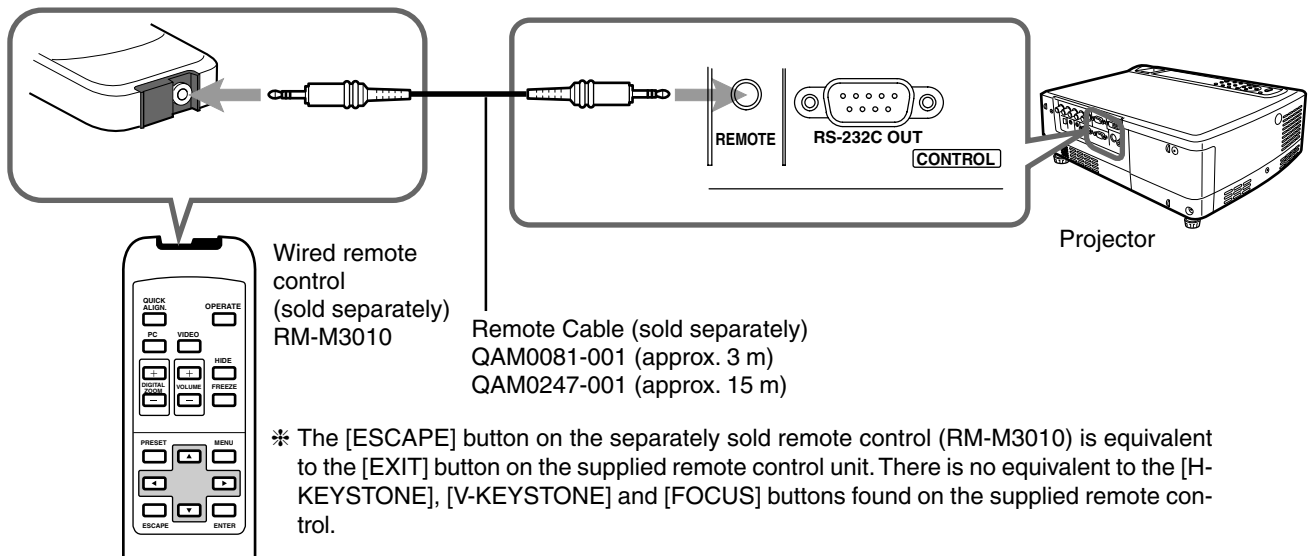
- Aim the remote control unit towards the remote sensor on the front or rear of the projector. The operable distance of the remote control unit is about 7 m for direct reception. If the remote control fails to work properly, move closer to the projector.



■ Using as a wired Remote Control

By connecting a separately sold wired remote control via remote cable to the [REMOTE] terminal, the remote control can be used as a wired control unit.

- When connected to the remote cable, the supplied remote control's transmitter and the projector's sensor do not function.
- Please keep within the range of the remote cable length. Warranty is not extended to the case where an extension cord is used.



When the remote control unit fails to work properly

- When the batteries in the remote control unit are exhausted, improper functioning will occur. Please replace with new batteries.
- When either the remote control unit or projector alone is connected to the remote cable, the item connected will not be able to work. Please check the cable connection.
- When a remote cable is connected to the projector, the supplied remote control becomes inoperable. When operating via the supplied remote control, confirm that the cable is not connected to the projector.

Connecting to Various Devices

Signals that can be input into the projector

The following signals can be input to the projector.

Video signals

(1) Response to Decoder

Input terminal \ Decoder	NTSC	NTSC4.43	PAL	SECAM
[VIDEO]	O	O	O	O
[Y/C]	O	O*1	O	-----
[Y], [P _B /C _B], [P _R /C _R]*3	O*2	O*2	O*2	O*2
[G], [B], [R], [H/Cs], [V]*4	O*2	O*2	O*2	O*2

*1: Responds if Y/C output is available.

*2: Signifies that component signals (Y, P_B, P_R/Y, B-Y, R-Y/G, B, R, H/Cs, V) conform to the signal timing (synchronization and video period) of each decoder. The decoders are used for convenience.

*3: To use these signals, it is required to set the "PC2(BNC)" item in the "Options" menu to "YPbPr". (page 39)

*4: To use these signals, it is required to set the "PC2(BNC)" item in the "Options" menu to "RGB". (page 39)

(2) Responds to double density*5, high-vision signals.

Input terminal \ Decoder	NTSC*6	PAL*7	High-vision signal
[Y], [P _B /C _B], [P _R /C _R]*8	O	O	O
[G], [B], [R], [H/Cs], [V]*9	O	O	O

*5: Signals of which density of scanning lines per field is twice as high.

*6: Responds to signals of which the horizontal scanning frequency is 31.47 kHz. NTSC can be made twice as dense by a line doubler (separately available: recommended article). It can also respond to fully-specified, decoded wide-clear-vision signals and decoded 525p progressive signals.

*7: Responds to signals of which the horizontal scanning frequency is 31.25 kHz. PAL can be made twice as dense by a line doubler (separately available: recommended article).

*8: To use these signals, it is required to set the "PC2(BNC)" item in the "Options" menu to "YPbPr". (page 39)

*9: To use these signals, it is required to set the "PC2(BNC)" item in the "Options" menu to "RGB". (page 39)

(3) Response to DTV-format signals

DTV-format signals (480i, 480p, 720p, 1080i) can be input to the [Y], [P_B/C_B], [P_R/C_R]*10 input terminals.

*10: To use these signals, it is required to set the "PC2(BNC)" item in the "Options" menu to "YPbPr". (page 39)

Computer signals

Computer signals can be input to the [PC1], [PC2] ([G], [B], [R], [H/Cs], [V])*11 or [PC3] (DVI-D) terminals.

*11: It is required to set the "PC2(BNC)" item in the "Options" menu to "RGB". (page 39)

Scanning frequencies in the following ranges can be inputted.

Horizontal scanning frequency : 15 kHz ~ 120 kHz

Vertical scanning frequency : 24 Hz, 25 Hz, 30 Hz, 50 Hz ~ 120 Hz

Be sure that the computer used meets the following conditions.

- **The computer has a video signal output port.**

Confirm if the computer has a video signal output port by consulting the computer's manual.

The video signal output port is generally called RGB port, monitor port, or video port.

In the case where the computer comes with a built-in monitor, e.g.; a notebook, an external output port may need to be purchased. Also, note that an external output port cannot be installed in some computers.

- **The resolution and the scanning frequencies are within the range specified in the table on page 20.**

Be sure that the resolution and the scanning frequencies of the video signal are within this range.

Video signals out of this range should not be used.

(Out of range signals can be projected but the image may not turn out sharp. Signals within the range may occasionally require adjustment, depending on the video board used). When signals other than those listed in the table on page 20 are input, the image could be partially erased or unwanted folds-over the image could appear.

Some signals within the frequency range may not be displayed normally depending on the type of the signal.

Composite sync (Cs) and G on Sync signals cannot be handled depending on the devices connected.

HDCP compatible signal

[PC3 DVI] input terminal can accept HDCP compatible video signals (480p, 720p 60/59 Hz, 1080i 60/59 Hz). The menu is same as when PC input is selected.

■ Allowable input signals

Signal		Horizontal resolution Hor (Pixels)	Vertical resolution Ver (Lines)	Horizontal frequency H (kHz)	Vertical frequency V (Hz)	
PC system	PC98	VESA350	640	350	37.86	84.13
	PC/AT	PC98	640	400	24.83	56.42
	DOS/V	VGA 60 Hz*	640	480	31.47	59.94
	DVI*	VGA 72 Hz	640	480	37.86	72.81
		VGA 75 Hz	640	480	37.50	75.00
		VGA 85 Hz	640	480	43.27	85.01
		SVGA 56 Hz	800	600	35.16	56.25
		SVGA 60 Hz*	800	600	37.88	60.32
		SVGA 72 Hz	800	600	48.08	72.19
		SVGA 75 Hz	800	600	46.88	75.00
		SVGA 85 Hz	800	600	53.67	85.06
		XGA 43 Hz	1024	768/2	35.52	43.48
		XGA 60 Hz*	1024	768	48.36	60.00
		XGA 70 Hz	1024	768	56.48	70.07
		XGA 75 Hz	1024	768	60.02	75.03
		XGA 85 Hz	1024	768	68.68	85.00
		SXGA 43 Hz	1280	1024/2	46.43	43.44
		SXGA 60 Hz*	1280	1024	63.98	60.02
		SXGA 75 Hz	1280	1024	79.98	75.03
		SXGA 85 Hz	1280	1024	91.15	85.02
	SXGA+60 Hz*	1400	1050	64.02	60.00	
Mac	MAC13	640	480	35.00	66.67	
	MAC16	832	624	49.73	74.55	
	MAC19	1024	768	60.24	74.93	
	MAC21	1152	870	68.68	75.06	
VIDEO system	Video	HDTV (1035i) 60 Hz			33.75	60.00
	DVI*	HDTV (1035i) 59 Hz			33.72	59.94
	(HDCP)	480p*	720	483	31.47	59.94
		720p 60 Hz*	1280	720	45.00	60.00
		720p 59 Hz*	1280	720	44.96	59.94
		1080i 60 Hz*	1920	1080/2	33.75	60.00
		1080i 59 Hz*	1920	1080/2	33.72	59.94
		1080i 50 Hz	1920	1080/2	28.25	50
		1080 30SF/30P	1920	1080	33.750	60/30
		1080 25SF/25P	1920	1080	28.125	50/25
		1080 24SF/24P	1920	1080	27.000	48/24
		NTSC			15.734	60
		PAL			15.625	50
		SECAM			15.625	50

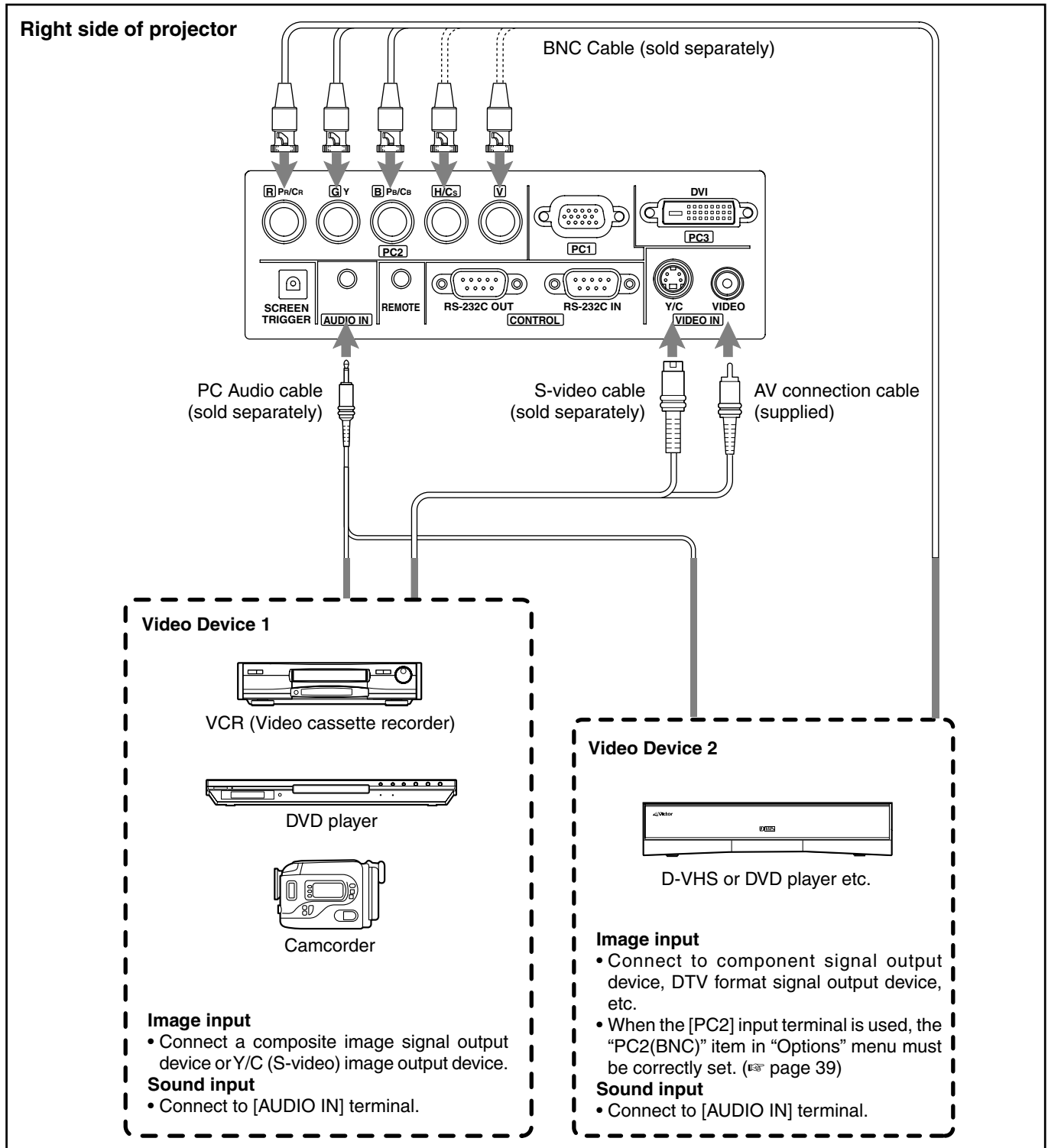
- The resolutions for the input signals are listed in the table above.
- Certain types of signals in the frequency range may not be displayed normally.
- When a signal other than those listed above is input, the image could be partially erased or unwanted folds-over the image may appear.
- Some signals other than those listed above can be displayed. However, they may require adjustment.
- Some of the signals listed above may require adjustment depending on the video board used.
- Composite sync (Cs) and G on Sync signals cannot sometimes be handled depending on the devices connected.
- VGA signals from the PC could at times be displayed in the video 480p mode.
(In this case, the projector enters the video menu when the [MENU] button is pressed.)
- The motion picture may be distorted when projecting motion picture from computer.
- The image of [DVI-D] input terminal might not be displayed due to HDCP specification change.

Connecting to Devices

Before connection, be sure to turn off both the projector and the device.

Connecting to Video Devices

- Thoroughly read the manual that comes with each video device.
- Use the supplied AV connection cable. S-video (Y/C) cable, BNC cable and PC Audio cables are not supplied.



Connection

- When connecting a video device, please use a TBC along with it, or use one with a built-in TBC.
- Use of an extension cable to connect a video device and the projector could cause image deterioration or projection failure.
- When a signal with much jitter is reproduced on a VCR, or special-effect playbacks are performed, the upper part of the image or the screen may be interrupted, erased or distorted.

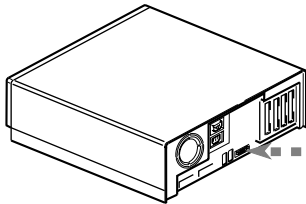
Connecting to Various Devices

Connecting to Computers

- Thoroughly read the manuals that come with the computer used.
- Prepare cables for connecting the devices.

- When the [PC2] input terminal is used, "PC2(BNC)" must be selected from the "Options" menu. (see page 39)
- When connecting an audio output terminal such as a computer sound source to the projector, connect to the [AUDIO IN] terminal using the separately available audio cable.
- When connecting to PC-9800 Series computers, a separately available conversion adapter is necessary. Please confirm the monitor connector type before use.

Desktop type (DOS/V, etc.)

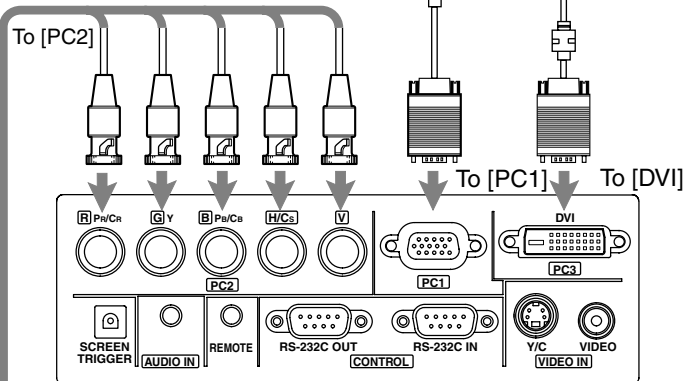
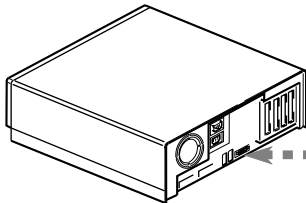


Personal Computer connector cable (sold separately)

To monitor connector

Separated cable (sold separately)

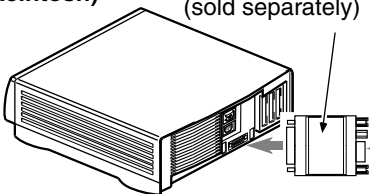
Desktop type (DOS/V, PC-9800 etc.)



Right side of projector

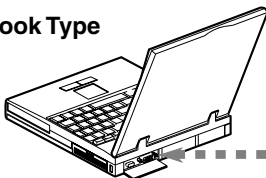
Desktop type (Macintosh)

Conversion adapter for MAC (sold separately)



To monitor connector

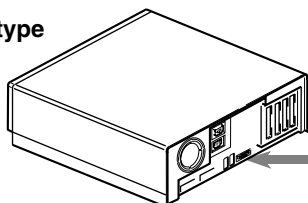
Notebook Type



To monitor connector

* There are some notebook type computers that do not allow the computer's LCD to work if an external display device is connected. With such computers, the LCD display and external display output need to be switched.

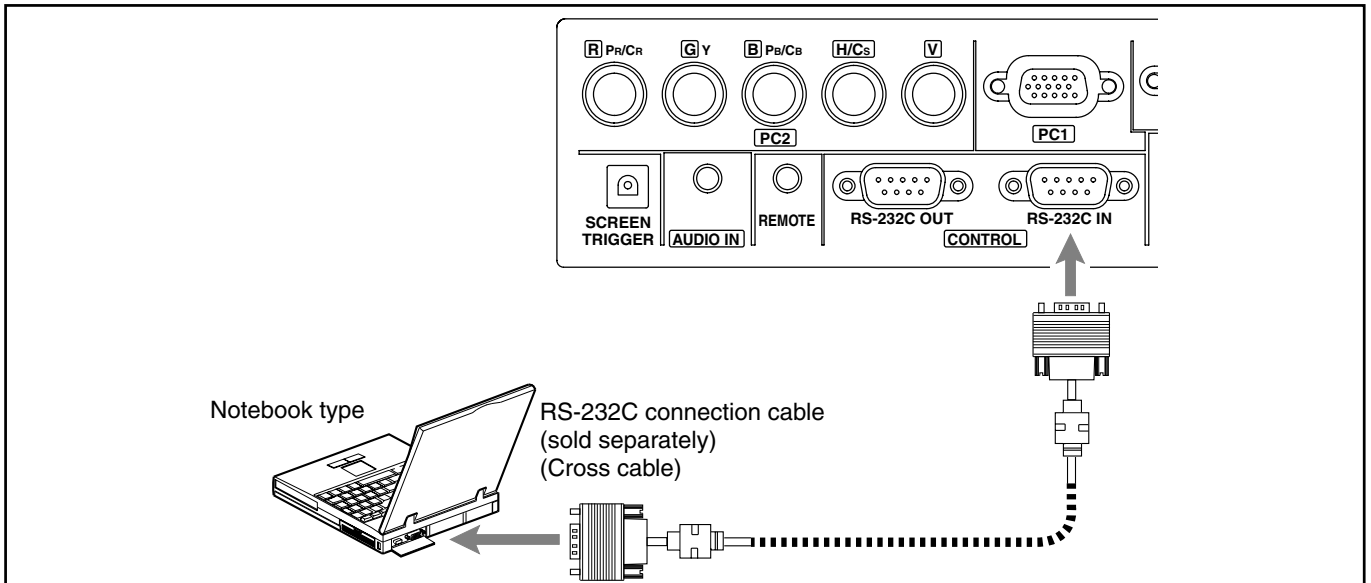
Desktop type



Control from external device

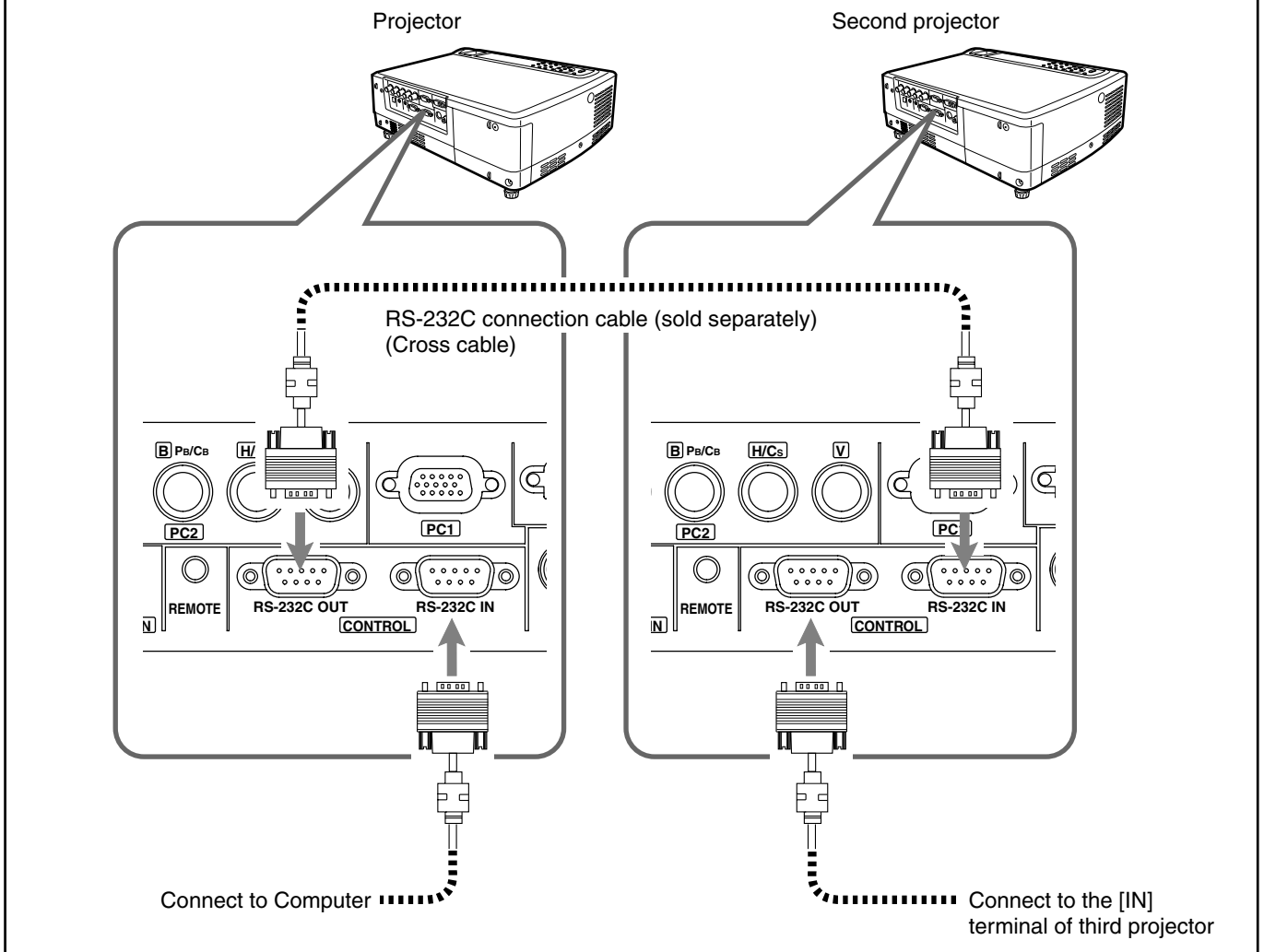
It is possible to control the projector with a computer by connecting the computer to the [CONTROL RS232C IN] terminal of the projector.

- Please request a connection cable from us if needed.
- For more information, please contact your authorized dealer.



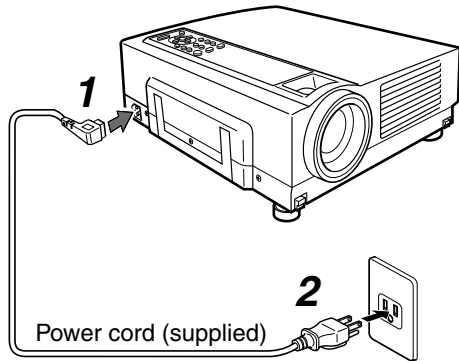
Connection for controlling more than one projector

By using the [CONTROL] terminal, more than one projector can be controlled simultaneously by one computer. Connect these projectors in series by connecting the [OUT] terminal of the first projector to the [IN] terminal of the second projector, then the [OUT] terminal of the second projector to the [IN] terminal of the third projector, etc.



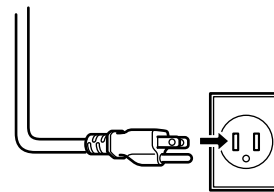
Connecting the Power Cord (supplied)

After all devices have been connected, connect the supplied power cord.



1. Connect the supplied power cord to the power input terminal of the projector

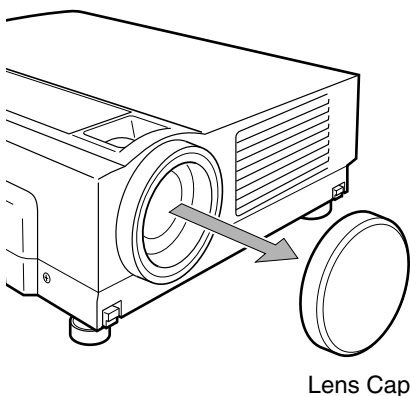
2. Insert the main plug of the supplied power cord into the wall outlet



(e.g.)

Cautions Against Fire and Electric Shock

- Since the power requirement of the projector is high, please insert the power plug directly into a wall outlet.
- When not using devices, remove the power plug from the wall outlets.
- Do not use power cords other than those supplied.
- Do not use a power voltage different from that which is indicated.
- Do not cut, tear or modify the power cords. Also, do not put a heavy object on, heat, or stretch the power cords, otherwise they may be damaged.
- Do not insert or pull out the plugs with a wet hand.

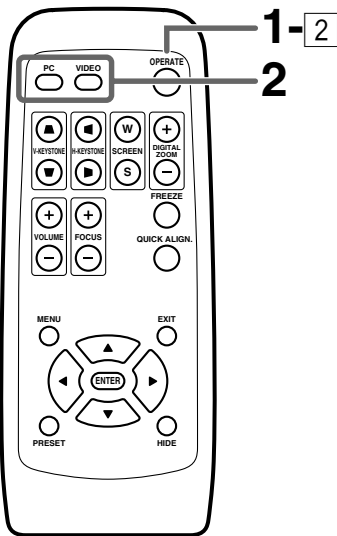
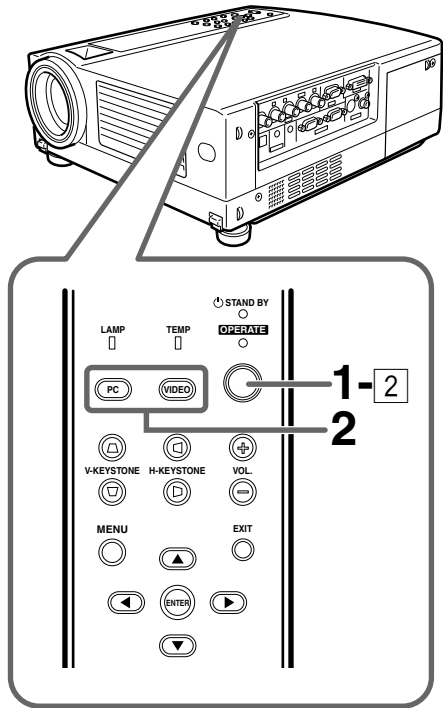


■ When using the projector, remove the Lens Cap

- Be sure to fit the lens cap on when the projector is not in use to keep out dirt.
- Do not project with the lens cap attached. The lens cap may be deformed by heat or this may cause malfunction.

Basic Operations

If projector set up is not yet complete, please read 'Adjustments and Settings Using Menus' on page 32 and perform the necessary settings.



Note

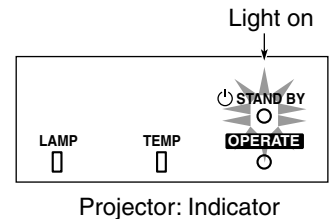
- Messages are displayed in the language set by the user in the "Language" menu. The pre-set language upon purchase is "English". The user can choose from 8 national languages. (page 39)
- However, the input mode ([PC1], [PC2], [PC3], [Y/C], [VIDEO]) and button indications ([FREEZE], [D.ZOOM], [EXIT]) are only displayed in English irrespective of the display language setting.

Basic Operation Procedures

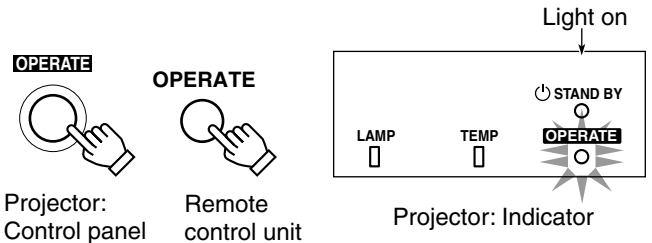
Once the basic settings are done, follow the procedures below:

1. Power On

1. Insert the power cord into the wall outlet
 - The [STAND BY] indicator lights up when the main power is inputted.



2. Press the [OPERATE] button on the projector (or the [OPERATE] button on the remote control unit) for one second or more
 - The [OPERATE] indicator lights up and the projected image slowly appears.

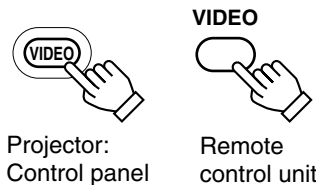


Notes

- Upon projection, the image may flicker for a few seconds, but this is not a malfunction.
- When the lamp is turned on, it will slowly become brighter. It will take more than a minute for the brightness to stabilize.

2. Selecting the image to be projected

- Press [VIDEO] to select which of the image devices of those connected to the [VIDEO IN] ([VIDEO] or [Y/C]) terminals is output



- Each time you press either button, the selected input changes as follows.

[VIDEO] ↔ [Y/C] [VIDEO]: Image from the input [VIDEO] terminal on the right hand side of projector will be projected.
 [Y/C] : Image from the input [Y/C] terminal on the right hand side of the projector will be projected.

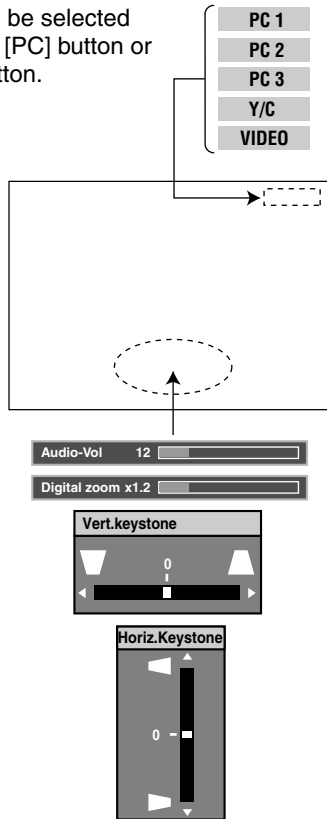
Notes

- Sound is formed from sound signals connected to the [AUDIO IN] terminal.
- When no image is input to the selected input terminal, the message "No Input" is displayed on the screen. (page 53)

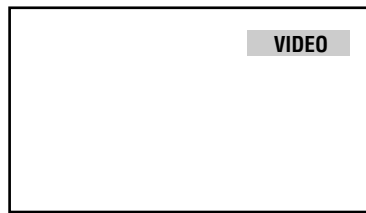
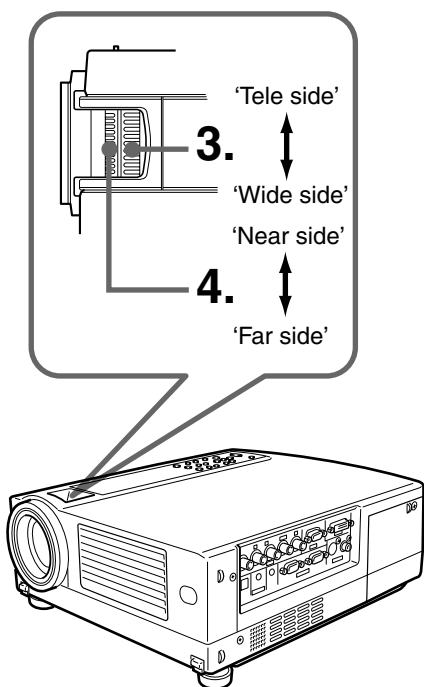
Display using the direct buttons

The direct buttons enable direct switching and operation without having to go through the menu.

Input mode can be selected by pressing the [PC] button or the [VIDEO] button.



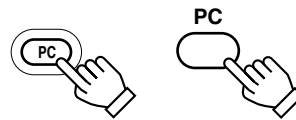
When the [DIGITAL ZOOM], [VOLUME], [V-KEYSTONE] or [H-KEYSTONE] buttons are pressed, the level bar of the function is displayed.



Screen display

When "Line display" (page 39) is set to "5sec": After changing an input, the new selection will appear on the screen for about 5 seconds.

To select a computer or other devices connected to [PC1], [PC2] or [PC3]: Press [PC]



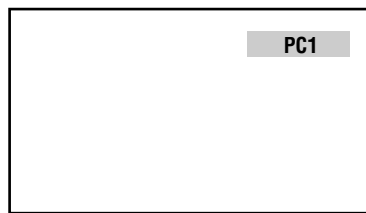
Projector: Control panel Remote control unit

- Upon pressing the button, the input mode changes as follows.

[PC1]: Projects image from [PC1] input terminal on the right hand side of the projector.

[PC2]: Projects image from [PC2] input terminal on the right hand side of the projector

[PC3]: Projects image from [PC3] input terminal on the right hand side of the projector.



Screen display

When "Line display" (page 39) is set to "5sec": After changing an input, the new selection will appear on the screen for about 5 seconds.

Notes

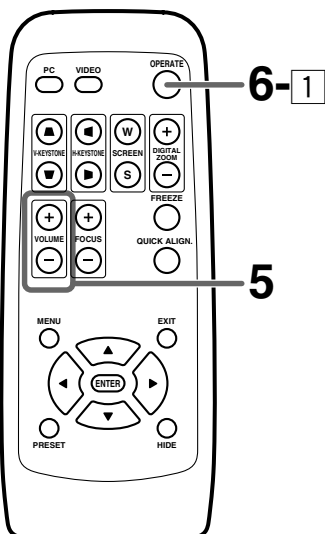
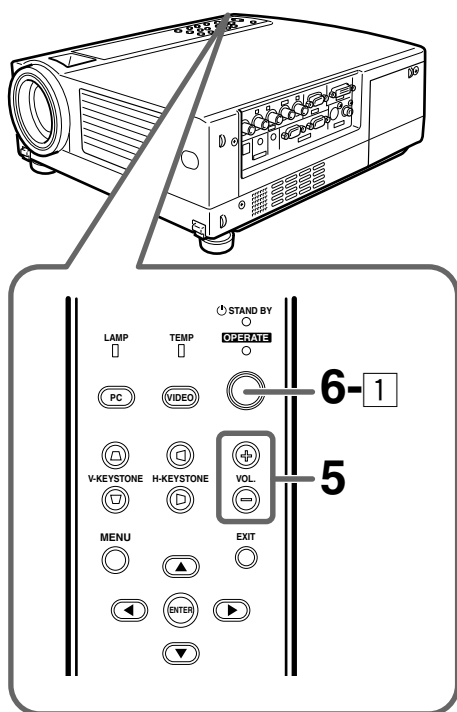
- Sound is formed from sound signals connected to the [AUDIO IN] terminal.
- When no image is input to the selected input terminal, the message "No Input" is displayed on the screen. (page 53)
- When the [PC2] input terminal is used, "PC2(BNC)" must be selected from the "Options" item in the main menu. (page 39)

3. Adjusting the Zoom Ring (the screen size)

- **To enlarge the screen size:** Turn the zoom ring towards the 'Wide side'
- **To reduce the screen size:** Turn the zoom ring towards 'Tele side'

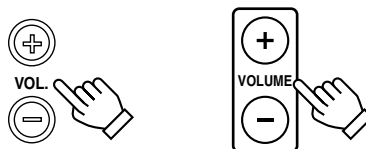
4. Adjusting the Focus Ring (Focus)

- **To focus on nearer points:** Turn the focus ring towards the 'Near side'
- **To focus on farther points:** Turn the focus ring towards the 'Far side'



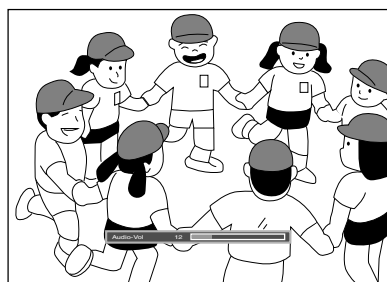
5. Adjusting the Sound Volume

- To increase the volume : press [VOLUME] ⊕ (0 → 50)
- To lower the volume : press [VOLUME] ⊖ (50 → 0)



Projector:
Control panel

Remote
control unit



Screen display

When “Menu display” (☰ page 39) is set to “15sec”, after pressing the [VOLUME] button, the sound volume display will appear on the screen for about 15 seconds. (Press [EXIT] button to immediately remove the “Audio-Vol” display.)



Note

- When the sound volume is displayed on the screen, pressing the [PRESET] button will reset the set value to “0”.

6. Power Off

- 1 Press the [OPERATE] button on the projector (or the [OPERATE] button on the remote control unit) for 1 second or more

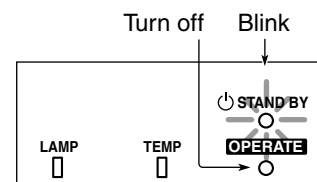
- The [OPERATE] indicator will disappear, the [STAND BY] indicator starts to blink, and the projector goes into the cool-down mode. The [STAND BY] indicator will continue blinking for approximately 90 seconds as the temperature of the light source lamp cools (Cool Down Mode).



Projector:
Control panel



Remote
control unit



Projector: Indicator

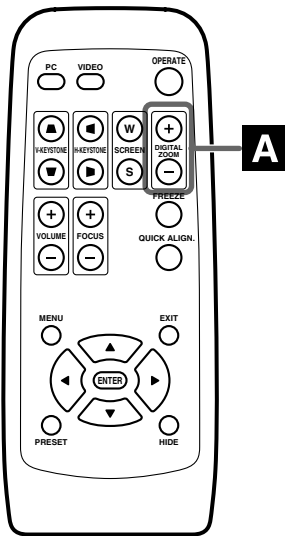
Note

- The [OPERATE] button will not work for approximately 1 minute from when the light-source lamp is turned on. Wait approximately 1 minute before pressing.

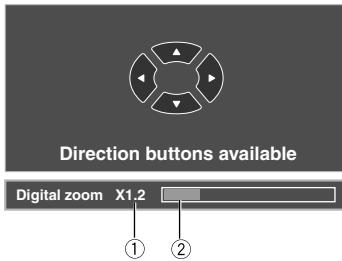
- 2 Plug out the power cord from wall outlet

Caution

- Please do not pull out the plug from the power source when the [STAND BY] indicator is blinking. It will shorten the life of the lamp and cause a malfunction.



■ “Digital zoom” Display



① Magnifying power display

- “x1.0”: 1 time (standard)
- “x1.2”: 1.2 times
- “x1.4”: 1.4 times
- “x1.6”: 1.6 times
- “x2.0”: 2 times
- “x2.5”: 2.5 times
- “x3.2”: 3.2 times
- “x4.0”: 4 times

② Level Display

Level shown is based on selected magnification.

Note

- The quality of the zoomed image is reduced in comparison with the original.

Frequently used Convenient Functions

When an image is projected onto the screen, the following operations can be performed directly without going through the menu operation. (See page 27 for VOLUME operation.)

- A** DIGITAL ZOOM
- B** HIDE
- C** FREEZE
- D** KEYSTONE
- E** QUICK ALIGN. (quick alignment)

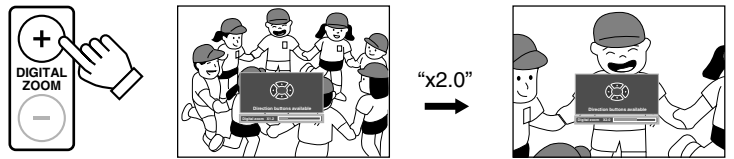
A Enlarging the Image

We can zoom in while not changing the size of the projected image. After zooming, the position of the image displayed can be moved.

- This cannot be done using the projector buttons. Please use the remote control unit.

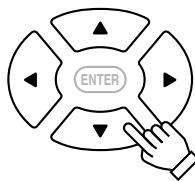
1. Press [DIGITAL ZOOM] ⊕

- The “Digital zoom” display appears on the screen and the projector changes to the Digital Zoom Mode.
- The image on the screen can be enlarged in 8 stages by pressing this button (including the standard size).



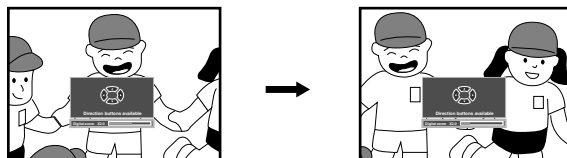
Remote control unit

2. While “Digital zoom” display appears on the screen, you can move the zoomed image with the cursor buttons on the remote control

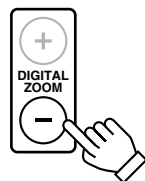


Remote control unit

- To see the upper part of zoomed image: Press ▲
- To see the lower part of zoomed image: Press ▼
- To see the right part of zoomed image: Press ►
- To see the left part of zoomed image: Press ◀



To reduce the size of the image

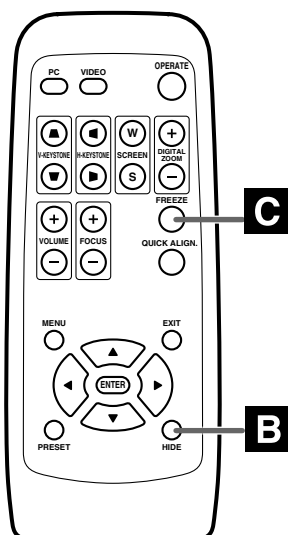
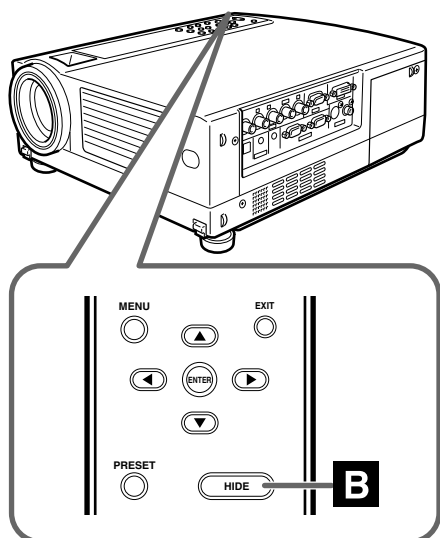


When the [DIGITAL ZOOM] ⊖ button is pressed, the previously enlarged image will be reduced progressively until it returns to the original size.

To reduce the image to the original size



When the [PRESET] button is pressed, the image will return to its original size and position. (Please operate while “Digital zoom” is displayed.)

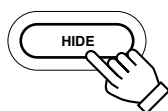


B Turning Off Image and Sound

Video images and audio output can be turned off temporarily.

Press the [HIDE] button once

- Images and audio output turned off.



Projector:
Control panel



Remote
control unit

Press the [HIDE] button again.

Images and audio output turn on again

Note

- When the projected image input is changed, the HIDE function is cancelled and image and sound return.

C Displaying a Still Picture

The projected image can be paused temporarily.

- This operation cannot be operated by the projector buttons. Please use the remote control unit.

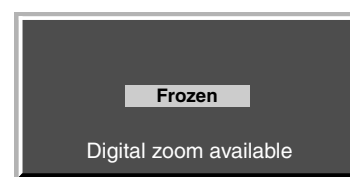
Press the [FREEZE] button

- The image pauses after the [FREEZE] button is pressed for a few seconds and a message "Frozen" is shown in the center of the screen. An icon indicating [FREEZE] mode will be displayed on the top right corner of the screen.

FREEZE



Remote control unit



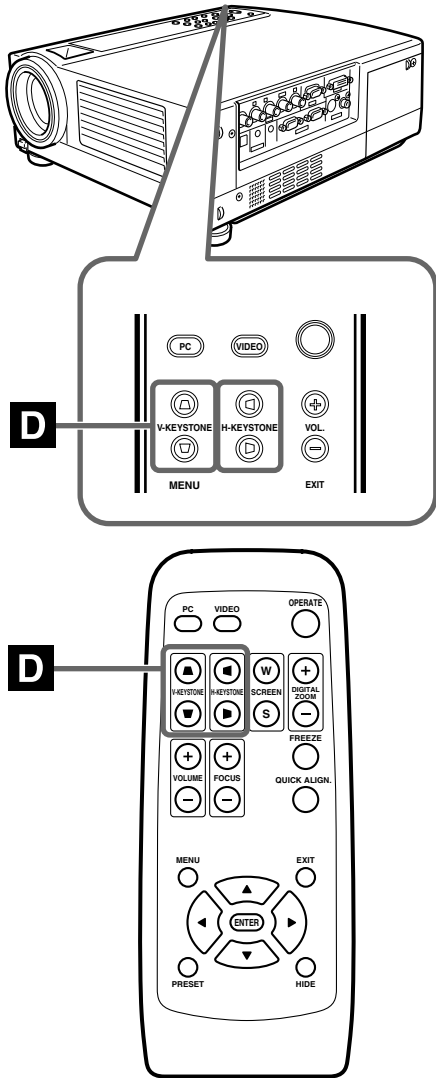
[FREEZE] icon

To de-freeze the image

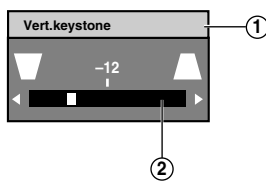
When you press the [FREEZE] button again, the image de-freezes and resumes.

Notes

- After de-freezing a still image, note that the projector will not play the image that comes immediately after. (Should you want to play the image that comes immediately after that at which the [FREEZE] button was pressed, please pause the image using the controls at the input device.)
- [MENU], [QUICK ALIGN.], [H-KEYSTONE] and [V-KEYSTONE] buttons do not function when the image is still.
- The "Frozen" message will disappear after 5 seconds. To forcibly clear "Frozen", please press the [EXIT] button.

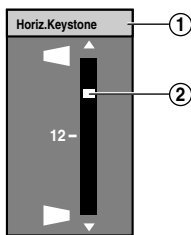


■ “Vert.keystone” Display



- ① Adjusted value
range: -100 ~ 0 ~ 100
- ② Level displayed
level displayed is based on the adjustment value.

■ “Horiz.Keystone” Display



- ① Adjusted value
range: -40 ~ 0 ~ 40
- ② Level displayed
level displayed is based on the adjustment value.

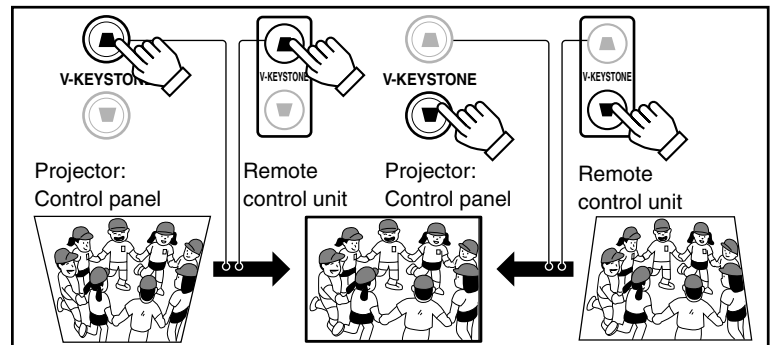
D Removing the Trapezoidal Distortion of the Image

Depending on the angle of projection onto the screen, the image may get distorted in a trapezoid form sometimes.

When installing the projector or screen for the first time, or when reinstalling in other rooms, etc., Keystone adjustments need to be made to remove trapezoid distortions.

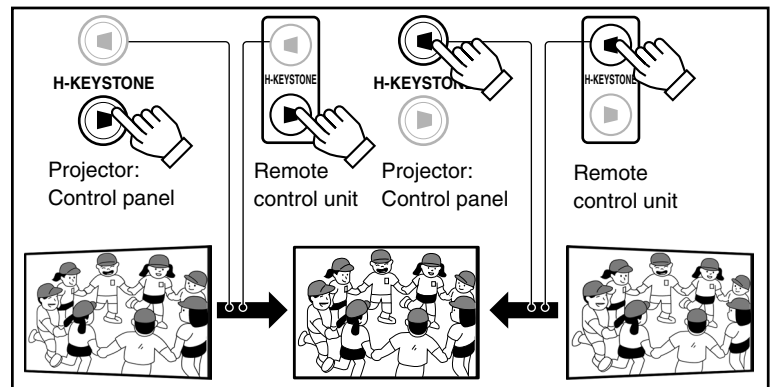
1. Press [V-KEYSTONE] ▲/▼ to adjust the trapezoid form in the vertical direction

- A “Vert.keystone” display appears on the screen, and the projector goes into the KEYSTONE MODE.
Press button (▲/▼) in the direction that corrects the trapezoid form.



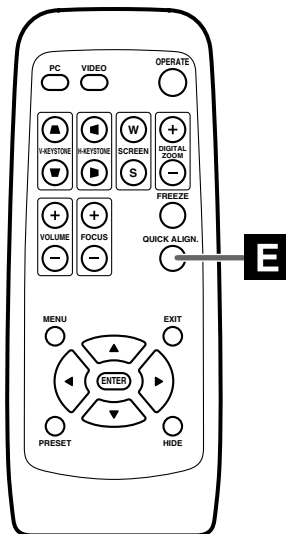
2. Press [H-KEYSTONE] ◀/▶ to adjust the trapezoid form in the horizontal direction

- A “Horiz.Keystone” display appears on the screen, and the projector goes into the KEYSTONE MODE.
Press button (◀/▶) in the direction that corrects the trapezoid form.



Notes

- The range where the trapezoidal distortion can be rectified is **30° vertically and 10° horizontally** with respect to the projector screen. However, when both are rendered together, the range of effective rectification will be narrower.
- The picture quality may deteriorate when performing KEYSTONE compensation. It is recommended to place the projector perpendicularly to the screen.
- Depending on the signal inputted, the keystone adjustment range may narrow or parts of the image may disappear. This is not a malfunction.
- Interference patterns may appear on the screen when adjusting the keystone. This is not a malfunction.
- To restore the original set value, press the [PRESET] button when adjusting the [V-KEYSTONE] and [H-KEYSTONE]. (Adjusted value: 0)
- During startup of projector, the KEYSTONE adjustment is not reflected in the D-ILA logo, user-set logo (when user-set logo is selected) display and the no signal blue back display.



E Using the Quick Alignment function

The Quick Alignment function automatically adjusts (sets) the screen settings of the image input from the [PC1] or [PC2] input terminal.

- This can only be performed with the remote control.

Press the [QUICK ALIGN.] (Quick Alignment) button.

- During automatic alignment, "QUICK ALIGN..." appears on the screen, and disappears after alignment is complete.

Notes

- **The Quick Alignment function only works when computer signals are input into either the [PC1] or [PC2] input terminal.**
 - It does not work when signals are input via a [VIDEO IN] terminal (The [VIDEO] or [Y/C] input terminal).
 - When input signal from [PC3] input terminal is received, "QUICK ALIGN..." is displayed but it is not functional.
- **The Quick Alignment function.**
 - This automatically adjusts "Horiz. disp. pos.", "Vert. disp. pos.", "Phase", "Tracking", etc.
- **Using the Quick Alignment function for automatic adjustments.**
 - Please use with bright still-pictures. This function may not work correctly on a dark picture or a motion-video.
 - If adjustment with the Quick Alignment function is not satisfactory, adjust "Horiz. disp. pos." and "Vert. disp. pos.", "Phase" and "Tracking" individually.

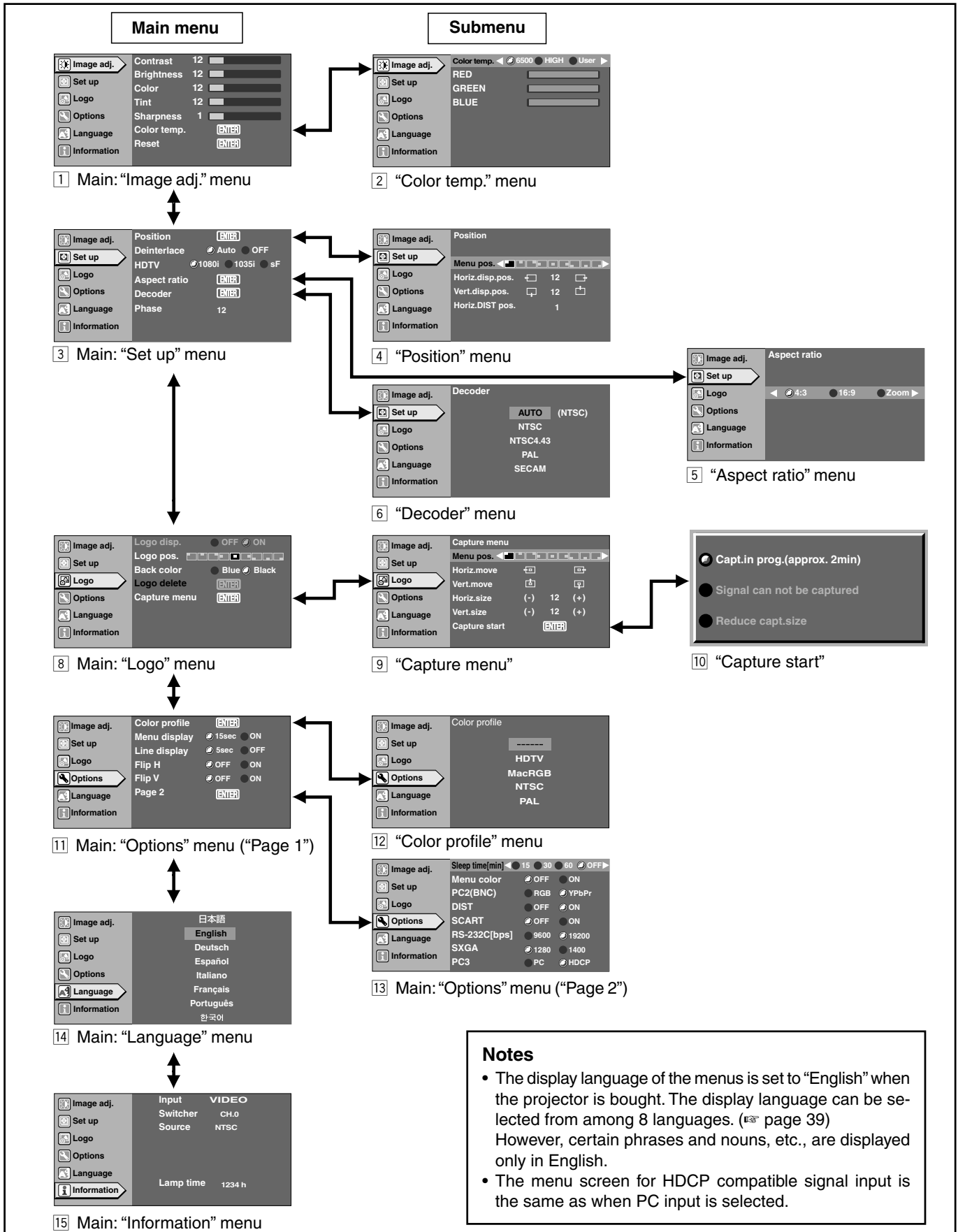
Adjustments and Settings Using Menus

The menus displayed on the screen are used to setup the projector and perform adjustments.

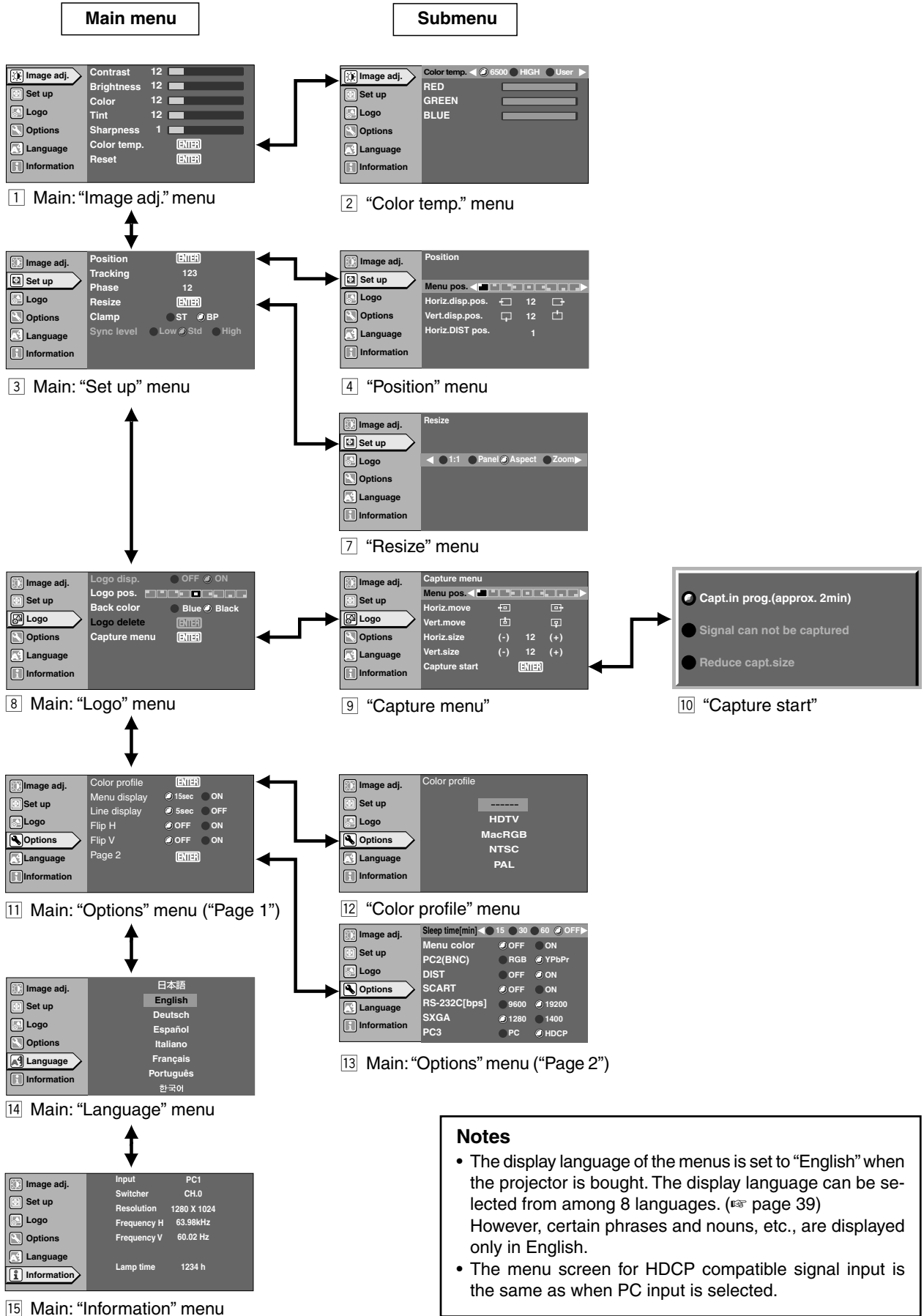
The Menu Structure

The menus of the projector have the following structure.

When video input is selected

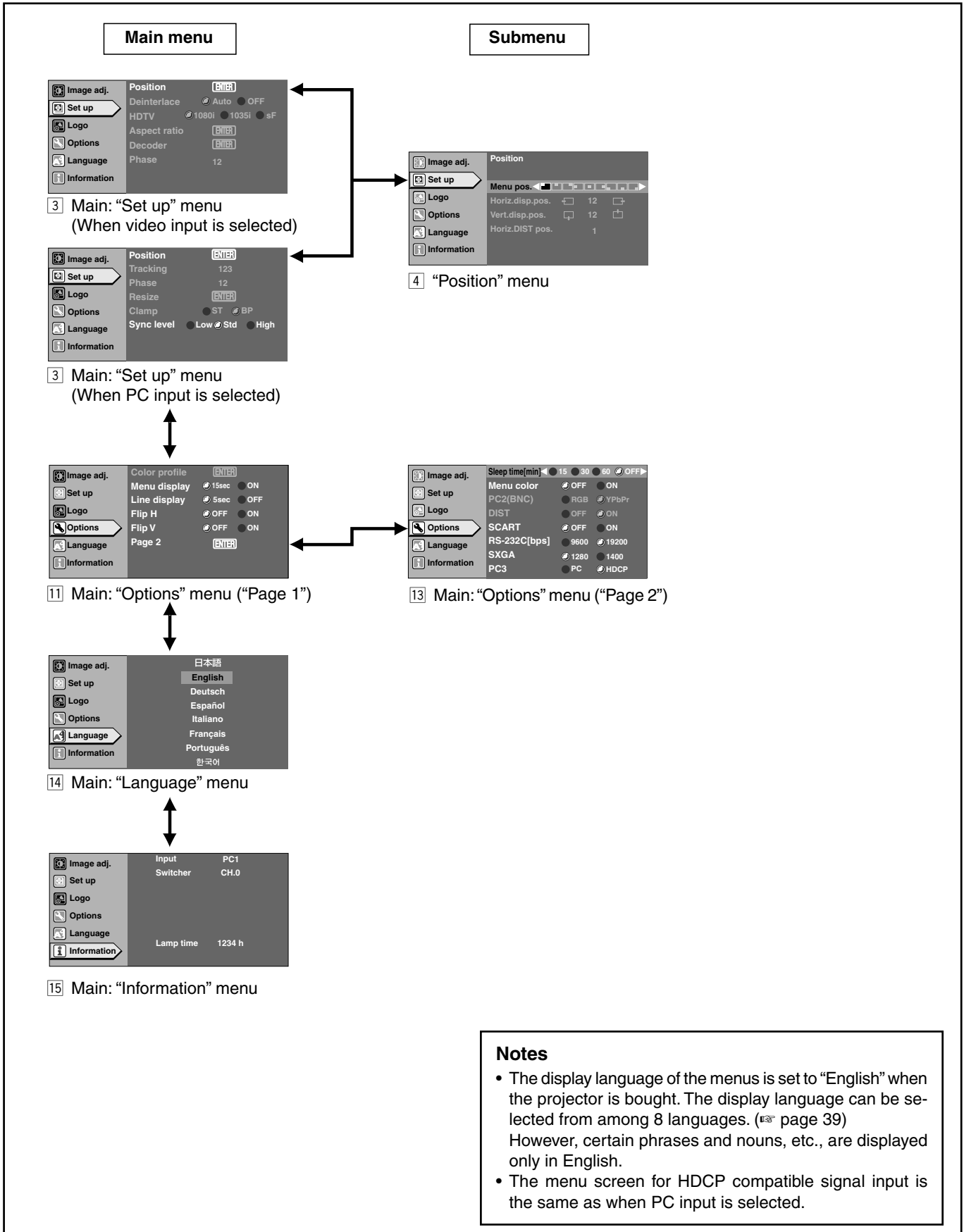


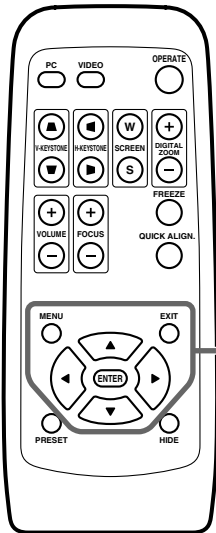
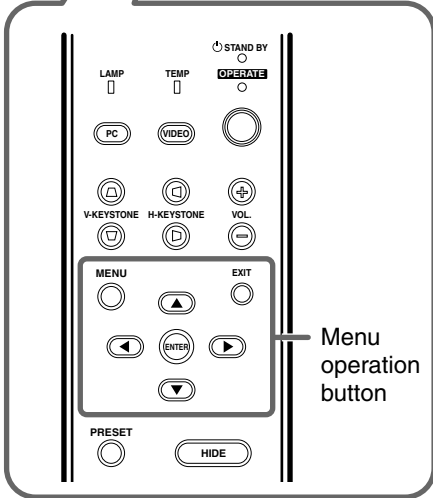
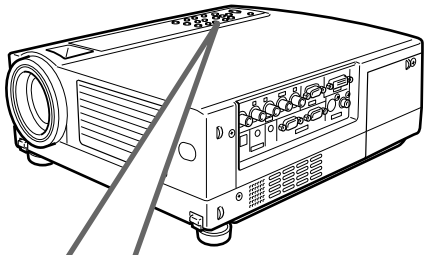
When PC input is selected



Adjustments and Settings Using Menus

When no image signal is inputted

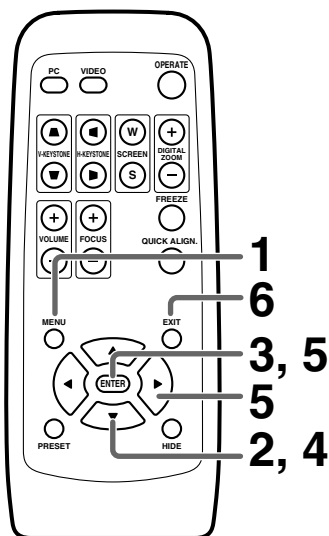
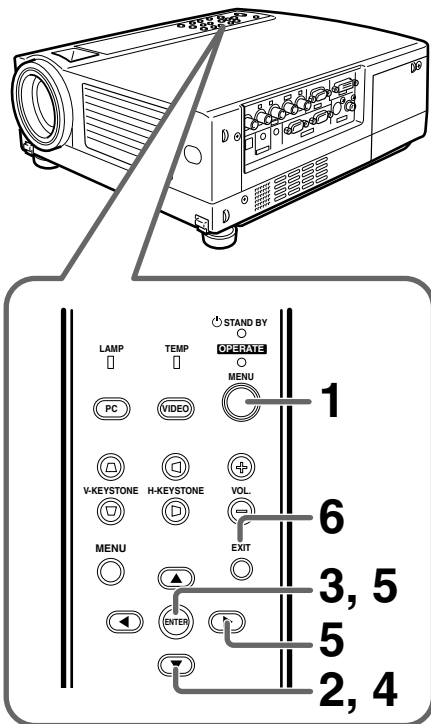




The Menu Operation Buttons

The menus are accessed and operated using the following buttons on the projector/remote control:

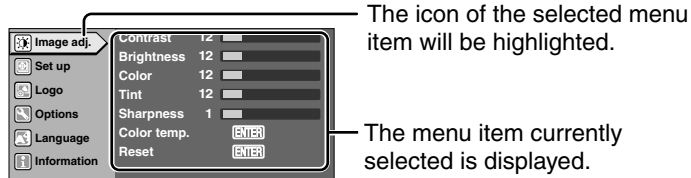
Button		Function
Main unit	Remote control unit	
		Displays the main menu on the screen. <ul style="list-style-type: none"> When the main menu is displayed, press to exit the menu mode.
		Confirm the selected item on main menu. Press to shift to the "Set up" screen of the selected item against which [ENTER] is displayed.
		Press to return to the previous menu. <ul style="list-style-type: none"> While the main menu is displayed, press to exit the menu mode.
<p>Main unit</p> <p>Remote control unit</p>		<p>▲ / ▼ : Select menu items and adjustment items.</p> <p>◀ / ▶ : Perform setting of the selected adjustment item. (Some items are not possible for setting) The adjusted value will be reflected to the image immediately.</p>



The Procedure for Menu Operation

1. Press the [MENU] button

The main menu is displayed on the screen.



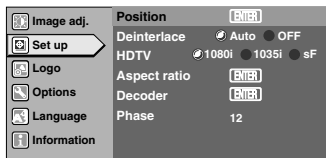
E.g. Main menu when video input is selected: "Image adj."

2. Press the cursor buttons (▲/▼) to select a main menu item

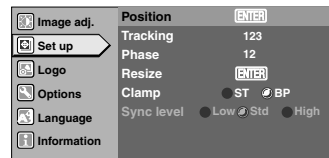
- The content of the selected item is displayed on the right side of the screen.
- When "Information" is chosen, the image input or PC input information (whichever is currently selected) is displayed on the right of the menu.
- When "Language" is selected, you can set the language. → Proceed to Procedure 6.

3. Press [ENTER] or cursor (▶) to confirm the menu item

- The menu indicated differs according to whether Video input or PC input is selected, or when there is no image signal inputted. For details, please see 'The Menu Configuration' on the next page.



E.g. "Set up" menu when video input is selected



E.g. "Set up" menu when PC input is selected

4. Press the cursor buttons (▲/▼) to select an adjustment item

- Adjustment item names displayed in pale cannot be selected.

5. Press the cursor buttons (◀/▶) to change the setting value

Alternatively, press [ENTER].

- When the item in the image adjustment menu against which [ENTER] is indicated is selected, either it will shift to the set up screen or the item command will be executed.

6. To exit after the adjustment, press the [EXIT] button

- Each time you press the button, the menu returns to the previous one.

7. Repeat procedures 2 to 6 to set other items

After all adjustments are done,

Press the [MENU] button.
The menu will disappear from the screen.

The Menu Configuration

Item values shown in { } are initial values set at manufacture.

- Press [ENTER], [EXIT] or the right cursor button (▶) to operate a menu while it is displayed.
- The menu items corresponding to an item currently selected is displayed on the right-hand side of the main menu.
- Menu items shown differ according to whether Video input or PC input is selected or when there is no image signal inputted.
- When "Information" is selected, information relating to the present selected image input appears on the right side of the menu.
There is no submenu for this "Information" menu. (For details, please see 'The Menu Structure' on page 32.)

1 "Image adj." menu

Image adjustment.

You can adjust the following items on the "Image adj." menu.

- There is no display when no image signal is inputted.

When Video input is selected	When PC input is selected
------------------------------	---------------------------

Adjustment item (press ▲ / ▼)	Adjustment content (press ◀ / ▶)
"Contrast"	Adjusts the contrast of the picture image. Range of values: -30 ~ 30 {0}
"Brightness"	Adjusts the brightness of the picture image. Range of values: -30 ~ 30 {0}
"Color"	Adjusts the color density of the picture image. Range of values: -30 ~ 30 {0}
"Tint"	Adjusts the tint of the picture image. Range of values: -30 ~ 30 {0}
"Sharpness"*	Adjusts the outline of the picture image. Range of values: -3 ~ 3 {0}
"Color temp."	Adjust the Color temperature of the screen. → Press the [ENTER] button to enter the Color temperature setting menu [2].
"Reset"	Resets all items in the "Image adj." submenu to the pre-set values (i.e. values set upon purchase). → Press the [ENTER] button to reset.

* In the "Set up" menu [3], if the "Resize" function in the PC submenu is set to "1:1", the image quality will not change even if the value is changed. (No adjustment)

2 "Color temp." menu

To adjust the "Color temp." of the projected image, press the (▲ / ▼) cursor buttons and choose the setting. Next press the (◀ / ▶) cursor buttons to set the "Color temp.". If "6500" is set, the image will turn out reddish.

Set value	: "6500", "HIGH", "User"	{ "6500" }
"RED"	: -255 ~ 0	{ 0 }
"GREEN"	: -255 ~ 0	{ 0 }
"BLUE"	: -255 ~ 0	{ 0 }

3 "Set up" menu

Use this menu to set the basic Tracking and Positioning settings of a picture image. Items that can be adjusted via the "Set up" menu are shown below.

- Displaying items differ depending on whether Video input or PC input is selected.

When Video input is selected

Adjustment item (press ▲ / ▼)	Adjustment content (press ◀ / ▶)
"Position"	Adjusts the position of the image and menu display. → Press the [ENTER] button to enter the "Position" menu [4].
"Deinterlace"	This is set when viewing movies. Set value : "Auto", "OFF" { "Auto" } "Auto" : Normally, the projector is set to "Auto". "OFF" : This is set when not viewing movies.
"HDTV"	In order to display "HDTV" signals in the exact aspect ratio of 16:9, the correct numerical value has to be set. Set value : "1080i", "1035i", "sF" { 1080i } "1080i" : Normally, set to "1080i". "1035i" : Set when high vision signals are used. "sF" : Used for segment frame signals.
"Aspect ratio"	Select the vertical-to-horizontal ratio of the image projected. → Press the [ENTER] button to enter the "Aspect ratio" menu [5].
"Decoder"	Sets the "Decoder". → Press the [ENTER] button to enter the "Decoder" menu [6].
"Phase"	Adjusts flickering or dim images. (setting is normally not required.) Range of values: 0 ~ 31 {Varies with signals}

When PC input is selected

Adjustment item (press ▲ / ▼)	Adjustment content (press ◀ / ▶)
"Position"	Adjusts the position of the image and menu display. → Press the [ENTER] button to enter the "Position" menu [4].
"Tracking"	Adjusts lateral size and display area of image. (Setting is normally not required.) {Varies with signals}
"Phase"	Adjusts flickering or dim image. (adjustment is normally not required.) Range of values: 0 ~ 40 {Varies with signals}
"Resize"	To set the way to display in the panel input signals that have fewer pixels (lower resolution) than D-ILA elements. → Press the [ENTER] button to enter the "Resize" menu [7].
"Clamp"	This can be used if the screen of the PC/workstation is unstable in that it dims and brightens. Set the position of the clamp pulse to Back porch ("BP") or Sync tip ("ST"). Normally, "BP" is used. Values : "ST", "BP" { "BP" }

Adjustments and Settings Using Menus

When there is no image signal inputted

Adjustment item (press ▲ / ▼)	Adjustment content (press ◀ / ▶)
"Position"	Adjusts the position of the image and menu display. → Press the [ENTER] button to enter the "Position" menu [4].
"Sync level" (When PC input is selected)	Although the inputted image signal is adjusted so that synchronization occurs automatically, this changes by changing this setup. Setting can be made by selecting "Low" (weaker), "Std" (factory set) or "High" (stronger). Values : "Low", "Std", "High" {"Std"}

4 "Position" menu

You can adjust the menu display position. Press the (▲ / ▼) cursors to set the horizontal/vertical position of the menu display.

Set Value	:	
"Menu pos."	:	{ }

"Horiz. disp. pos." : Varies with signals.
 "Vert. disp. pos." : Varies with signals.
 "Horiz. DIST pos." : -8 ~ +7 {0}

5 "Aspect ratio" menu

Press the cursor (◀ / ▶) to set the aspect ratio of image.
 (☞ page 41, 42)

Setting value : "4:3", "16:9", "Zoom" * {varies with signals}
 * When creating a 16:9 image with black bars above and below the screen from the signal with original aspect ratio of 4:3, the image will be enlarged to full screen on the panel if "Aspect ratio" is set to "Zoom".

6 "Decoder" menu

Press the (▲ / ▼) cursor buttons to choose the "Decoder" of the image signals. Normally, "AUTO" is selected. When "AUTO" does not function or when there is error, select the appropriate color system according to the software player.

Values : "AUTO", "NTSC", "NTSC4.43", "PAL", "SECAM" {"AUTO"}

7 "Resize" menu

Press the cursor (◀ / ▶) to resize.
 (☞ page 43, 44)

Setting value : "1:1", "Panel", "Aspect", "Zoom" {varies with signals}

"1:1" : The image is displayed at the inputted resolution.
 "Panel" : The picture image projected is virtually enlarged to the full screen size if the inputted resolution is smaller than (1400 pixels x 788 pixels).
 "Aspect" : While maintaining the original aspect ratio, the video image projected is virtually enlarged until either the horizontal or vertical side reaches the full size (1400 pixels x 788 pixels).
 "Zoom" : The picture image projected is virtually enlarged to the full screen size if the 16:9 image is created with black bars above and below the screen from the signal with original aspect ratio of 4:3.

8 "Logo" menu

Adjustment item (press ▲ / ▼)	Adjustment content (press ◀ / ▶)
"Logo disp."	Sets whether to indicate the user set logo (captured image: "Logo disp.") when the projector starts up. {"ON"}
"Logo pos."	Sets the position of the user set logo (captured image: "Logo disp.") when the projector starts-up. Re-setting can be performed only when the logo has been eliminated. Set value : "Logo pos." : { }
"Back color"	Selects the background color of the user set picture (captured image: "Logo disp."). {"Black"} Re- setting can be performed only when the logo has been eliminated.
"Logo delete"	Deletes the user set logo (captured image: "Logo disp."). Deletion takes a few seconds. → Press the [ENTER] button to delete.
"Capture menu"	You can project a picture from the video player or PC and capture it to use as your logo. The captured picture can be displayed as a logo display when the projector starts up. → Press the [ENTER] button to enter the "Capture menu" [9].

9 "Capture menu"

Adjustment item (press ▲ / ▼)	Adjustment content (press ◀ / ▶)
"Menu pos."	Adjusts the display position of the capture menu. Set value : "Menu pos." : { }
"Horiz. move"	The position of the picture that you want to capture can be moved left or right with the cursor buttons (◀ / ▶).
"Vert. move"	The position of the picture that you want to capture can be moved up or down with the cursor buttons (◀ / ▶).
"Horiz. size"	The width of the picture that you want to capture can be set by the cursor buttons (◀ / ▶).
"Vert. size"	The height of the picture that you want to capture can be set by the cursor buttons (◀ / ▶).
"Capture start"	After setting all the items of the capture menu, image capture starts. * Note that images already inputted will be deleted. → Press the [ENTER] button to start.

10 “Capture start”

The status of capture is displayed in bold.

“Capt. in prog. (approx. 2min)”	The image is being read into the projector. During this time interval, the projector will not respond to any command signal inputted by the user.
“Signal can not be captured”	Clear the message with the [EXIT] button and input appropriate signals.
“Reduce capt. size”	Clear the message with the [EXIT] button and decrease the signal size. <ul style="list-style-type: none"> Depending on the image content, there will be cases where certain signals cannot be captured while others of the same size can be.

11 “Options” menu (“Page 1”)

The items of the “Options” menu shown below can be adjusted.

- The “Options” menu consists of two pages (“Page 1” and “Page 2”).

“Page 1”

Adjustment item (press ▲ / ▼)	Adjustment content (press ◀ / ▶)
“Color profile”	Sets the color table. → Press the [ENTER] button to enter the “Color profile” menu [12].
“Menu display”	Sets whether the menu display automatically clears after 15 seconds. Values : “15sec”, “ON” {“15sec”}
“Line display”	Sets whether the line display is shown for about 5 seconds. Values : “5sec”, “OFF” {“5sec”}
“Flip H”	Reverses image left to right. Values : “ON”, “OFF” {“OFF”}
“Flip V”	Inverses image upside down. Values : “ON”, “OFF” {“OFF”}
“Page 2”	Displays “Page 2” of the “Options” menu. → Press the [ENTER] button to enter the “Options” menu (“Page 2”) [13].

12 “Color profile” menu

To choose the color table of the image signals, press the (▲ / ▼) CURSOR buttons. When using “Color profile”, set the “Color temp.” to “6500”.

- No display in the absence of image signal input.
Values : “-----”, “HDTV”, “MacRGB”, “NTSC”, “PAL”

{“-----”}

13 “Options” menu (“Page 2”)

Adjustment item (press ▲ / ▼)	Adjustment content (press ◀ / ▶)
“Sleep time[min]”	Sets the length of sleep time which, when lapsed, automatically puts the projector into stand-by state if no signal is inputted. Setting value: “15”, “30”, “60”, “OFF” {“OFF”}
“Menu color”	When “ON”, menu becomes transparent and the background can be seen through it. Setting value: “OFF”, “ON” {“OFF”}
“PC2(BNC)”	Sets whether to use the BNC connector on the back of the projector as an “RGB” signal input terminal or as a “YPbPr” (color-difference) signal input terminal. Please reset it based on the connected apparatus. <ul style="list-style-type: none"> The input will be “RGB” irrespective of the PC signal setting. Setting value: “RGB”, “YPbPr” {“YPbPr”}
“DIST”	Image of high resolution can be achieved. Set as required. This is turned “ON” when the [OPERATE] button is pressed. Setting value: “OFF”, “ON” {“ON”}
“SCART”	Connects to a Europe-adapted SCART plug and turns it “ON” during component input. Connect the Image Signal cable to the [RGB] terminal of the [PC2] input terminal and the Sync Signal cable to the [VIDEO IN] terminal. Setting value: “OFF”, “ON” {“OFF”}
“RS-232C [bps]”	Sets the communication speed (signal transmission speed) when communicating with a computer by using the [RS-232C] terminal. Please set the baud rate for transmission. Setting value: “9600”, “19200” {19200}
“SXGA”	Select “1400” to project SXGA+ signal. Setting value: “1280”, “1400” {1280}
“PC 3”	Set whether to use PC input or HDCP compatible video signal when using [PC3] terminal as input. Set according to the connecting equipment. Setting value : “PC”, “HDCP” {“HDCP”}

14 “Language” menu

Select the language in this language menu with the CURSOR buttons (▲ / ▼).

Setting value : [日本語] (Japanese), [English], [Deutsch] (German), [Español] (Spanish), [Italiano] (Italian), [Français] (French), [Português] (Portuguese) and [한국어] (Korean).

{[English]}

- Some words in the menu and proper nouns such as “VIDEO”, “NTSC”, “QUICK ALIGN...” are shown only in English.

Adjustments and Settings Using Menus

15 “Information” menu

Displays the information such as image input currently selected, other information and lamp usage time.

When video input is selected

“Input”	Displays the image input [VIDEO], [Y/C], [PC2] when projecting.
“Switcher”	Displays the selected switcher matching the specification of this projector. “0” : not being used. “1-10” : switcher number. For details, please check with your authorized dealer.
“Source”	Displays the type of video signal of the image projected.
“Lamp time”	Displays the number of accumulated used hours of the light-source lamp.

When PC input is selected

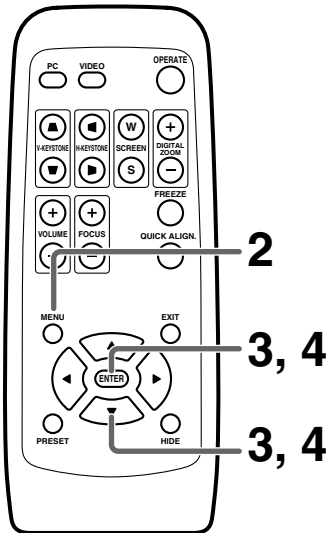
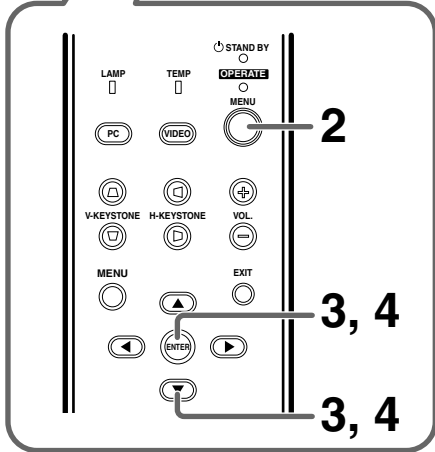
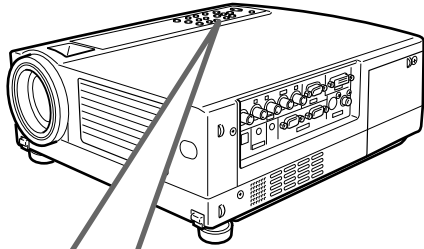
“Input”	Displays the computer input ([PC1], [PC2], [PC3]) when projecting.
“Switcher”	Displays the selected switcher number matching the specification of this projector. “0” : not being used. “1-10” : switcher number. For details, please check with your authorized dealer.
“Resolution”	Displays the resolution of the inputted signal. (Horizontal x vertical) <ul style="list-style-type: none">• Some inputted signals cannot be displayed correctly.
“Frequency H”	Displays the horizontal frequency of the inputted signal.
“Frequency V”	Displays the vertical frequency of the inputted signal.
“Lamp time”	Displays the number of accumulated used hours of the current light-source lamp.

When no image signal is inputted

“Input”	Displays the current selected image input ([VIDEO], [Y/C], [PC1], [PC2], [PC3]) when projecting.
“Switcher”	Displays the selected switcher number matching the specification of this projector. “0” : not being used “1-10” : switcher number. For details, please check with your authorized dealer.
“Lamp time”	Displays the number of accumulated used hours of the light-source lamp.

Setting “Aspect ratio” and “Resize”

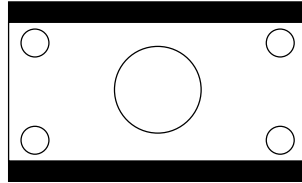
By setting the “Aspect ratio” and “Resize” of the projected input image, optimum image can be projected onto the screen.



Setting the “Aspect ratio”

Set the “Aspect ratio” when image is input from the [VIDEO], [Y/C] or [PC2] terminals.

1. Project the image onto the screen



4:3 image recorded in letterbox (black bars above and below the screen) such as in DVD software.

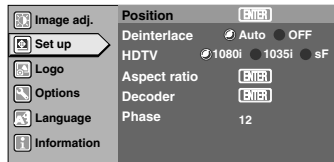
2. Press the [MENU] button

- The main menu appears on the screen.



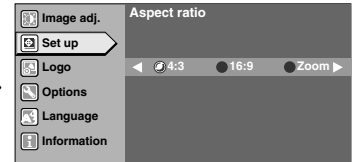
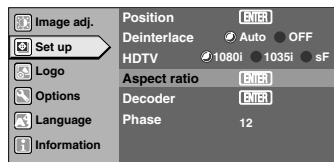
3. Press the cursor buttons (▲ / ▼) to select “Set up” and press [ENTER] or cursor (▶)

- The “Set up” menu appears on the right side of the screen.

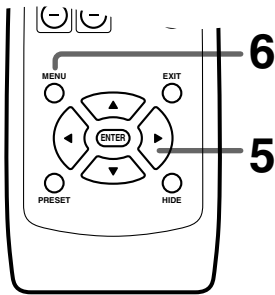
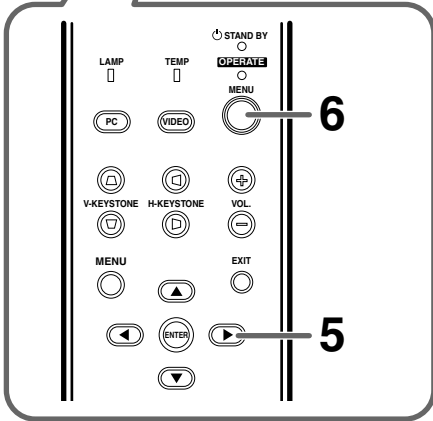
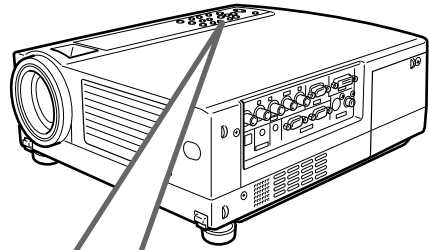


4. Select “Aspect ratio” with the cursor buttons (▲ / ▼) and press [ENTER]

- The “Aspect ratio” menu appears on the screen.

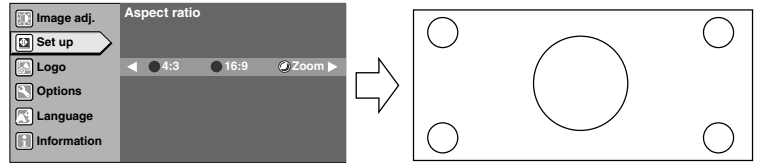


Setting "Aspect ratio" and "Resize"



5. Select "Zoom" with the cursor buttons (◀/▶)

- Set "Aspect ratio" to "Zoom" for optimum projected image.

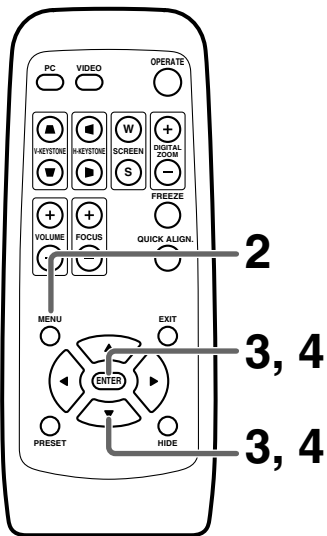
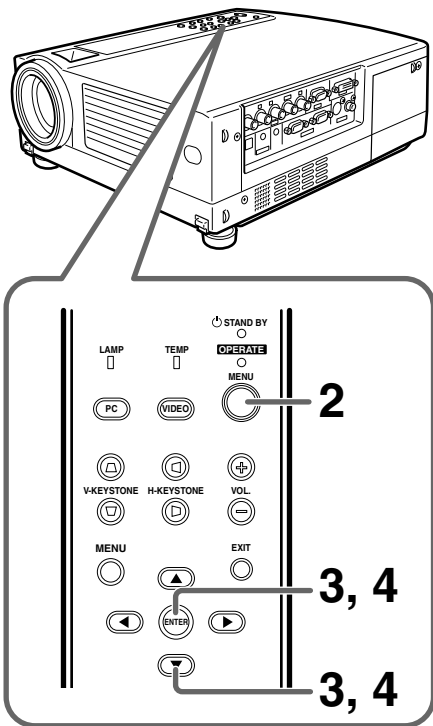


6. Press the [MENU] button to end when adjustment is completed

- The menu disappears from the screen.

■ The relation between the input image and the projected image according to the setting of "Aspect ratio" menu

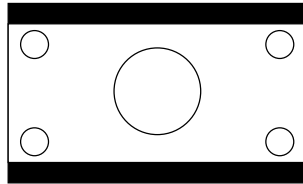
Input image	The setting of "Aspect ratio" menu when input terminal is [VIDEO], [Y/C] or [PC2]		
	"4:3"	"16:9"	"Zoom"
<p>SDTV(4:3)</p>	<p>Image loss : No Aspect ratio : Same Optimum image</p>	<p>Image loss : No Aspect ratio : Landscape Image is stretched horizontally</p>	<p>Image loss : Yes Aspect ratio : Same Image is chopped off at the upper and lower portion</p>
<p>HDTV(16:9)</p>	<p>Image loss : No Aspect ratio : Portrait Image is stretched vertically</p>	<p>Image loss : No Aspect ratio : Same Optimum image</p>	<p>Image loss : Yes Aspect ratio : Portrait Image is stretched vertically and chopped off at the upper and lower portion</p>
<p>SDTV(4:3) Images recorded in letterbox (black bars above and below the screen) such as in DVD software.</p>	<p>Image loss : No Aspect ratio : Same Image cannot be largely projected</p>	<p>Image loss : No Aspect ratio : Landscape Image is stretched horizontally</p>	<p>Image loss : No Aspect ratio : Same Optimum image</p>



Setting the "Resize"

Set the "Resize" when HDCP image is input from [PC3] terminal.

1. Project the image onto the screen



← 4:3 image recorded in letterbox (black bars above and below the screen) such as in DVD software.

2. Press the [MENU] button

- The main menu appears on the screen.



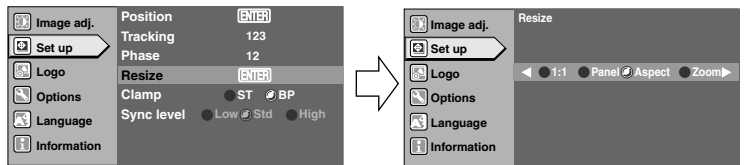
3. Press the cursor buttons (▲ / ▼) to select "Set up" and press [ENTER] or cursor (▶)

- The "Set up" menu appears on the right side of the screen.

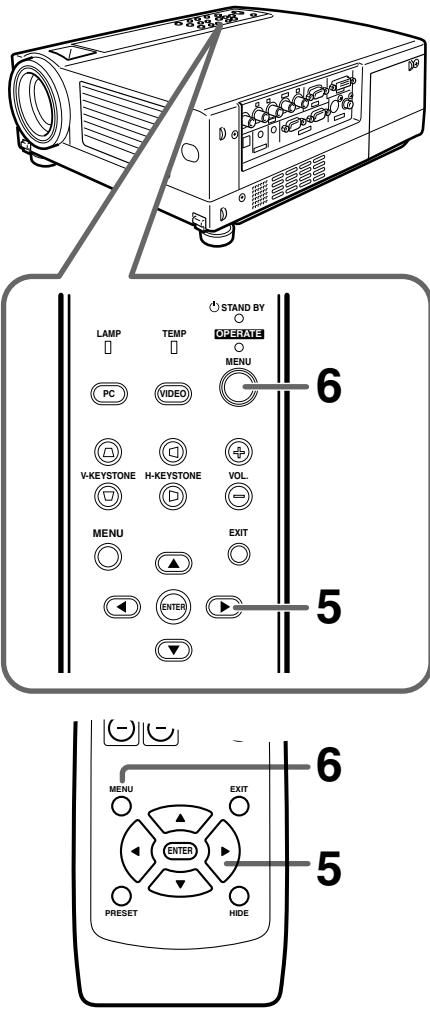


4. Select "Resize" with the cursor buttons (▲ / ▼) and press [ENTER]

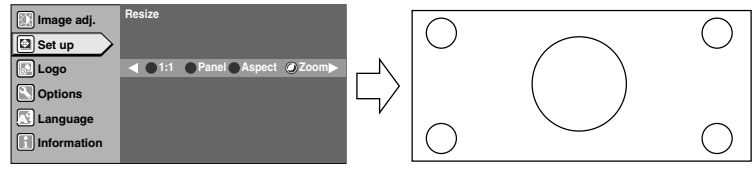
- The "Resize" menu appears on the screen.



Setting "Aspect ratio" and "Resize"



- 5. Select "Zoom" with the cursor buttons (◀/▶)**
- Set "Resize" to "Zoom" for optimum projected image.



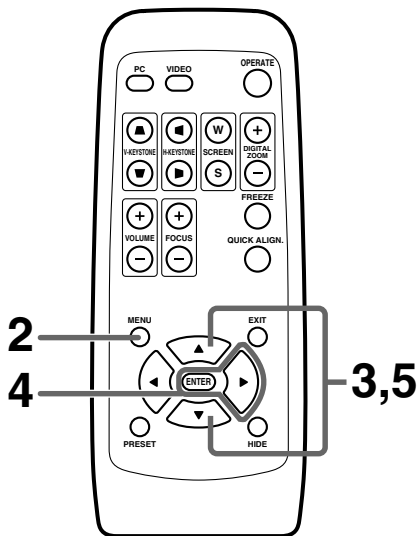
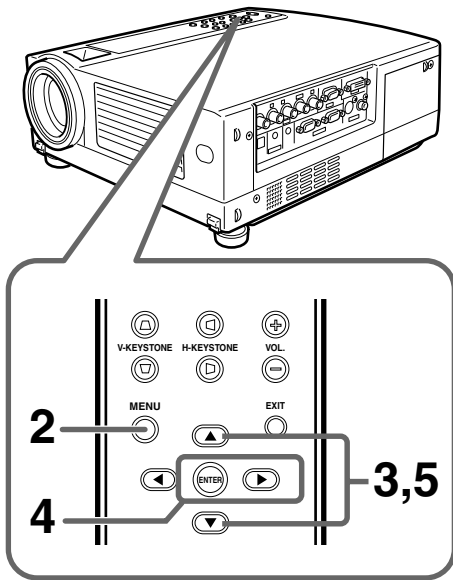
- 6. Press the [MENU] button to end when adjustment is completed**
- The menu disappears from the screen.

■ The relation between the input image and the projected image according to the setting of "Resize" menu

Input image	The setting of "Resize" menu when input terminal is [PC3] and with HDCP signal input.			
	"1:1"	"Panel"	"Aspect"	"Zoom"
<p>SDTV(4:3)</p>	<p>Image loss : No Aspect ratio : Same Image cannot be largely projected</p>	<p>Image loss : No Aspect ratio : Landscape Image is stretched horizontally</p>	<p>Image loss : No Aspect ratio : Same Optimum image</p>	<p>Image loss : No Aspect ratio : Same Image is chopped off at the upper and lower portion</p>
<p>HDTV(16:9)</p>	<p>Image loss : Yes Aspect ratio : Same There may be cases where only the upper left portion of the image is projected</p>	<p>Image loss : No Aspect ratio : Same Aspect ratio may change</p>	<p>Image loss : No Aspect ratio : Same Optimum image</p>	<p>Image loss : Yes Aspect ratio : Portrait Image is stretched vertically and chopped off at the upper and lower portion</p>
<p>SDTV(4:3) Images recorded in letterbox (black bars above and below the screen) such as in DVD software.</p>	<p>Image loss : No Aspect ratio : Same Image cannot be largely projected</p>	<p>Image loss : No Aspect ratio : Landscape Image is stretched horizontally</p>	<p>Image loss : No Aspect ratio : Same Image cannot be largely projected</p>	<p>Image loss : No Aspect ratio : Same Optimum image</p>

Editing and Projecting Logo

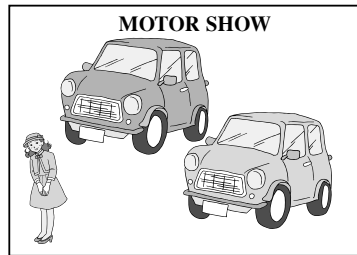
You can project your logo if you like when you start up the projector.
This may come in useful during presentations, etc.



Notes

- Setting the logo display item in the “Logo” menu to “ON” and switching on the power displays the D-ILA logo and then the user-set logo. (Factory setting is “ON”)
- When the D-ILA or user-set logo is displayed after the projector is turned on, pressing the [EXIT] button will delete the logo.
- During video signal input, pressing the [EXIT] button on the remote control unit when the menu is not displayed causes the logo to appear.
Press any other button to delete the logo from the screen.
- The capture frame may disappear from the screen when “Aspect ratio” is set to “Zoom” during video signal input or when “Resize” is set to “Zoom” during PC signal input. When this happens, display the capture frame as described below.
 - Set setting to other than “Zoom”
 - Move the frame upwards and downwards
 - Change the vertical size of the frame

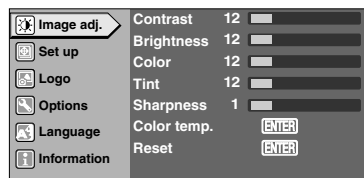
1. Project the images to be included in your logo



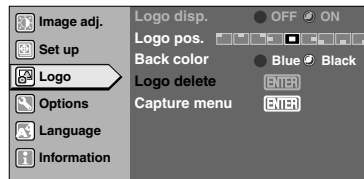
Screen display

2. Press the [MENU] button

- The main menu appears on the screen.

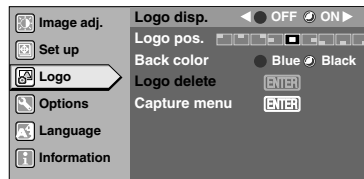


3. Select “Logo” with the cursor buttons (▲ / ▼)

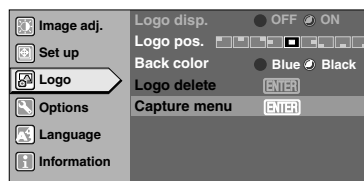


4. Press the [ENTER] or the right cursor button (▶)

- The “Logo” menu appears on the screen.

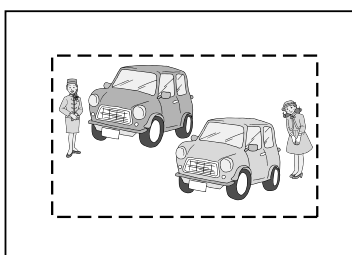


5. Select “Capture menu” with the cursor buttons (▲ / ▼) and press [ENTER]

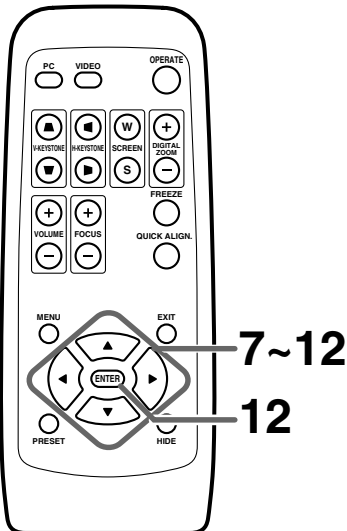
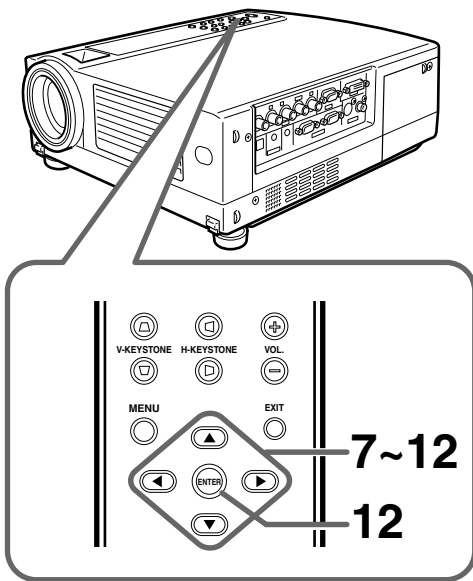


6. The captured picture appears on the screen

- The captured picture (i.e. your logo) with a frame appears on the screen.

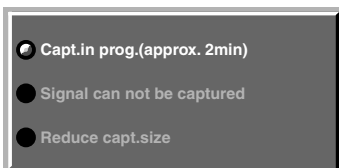


Screen display



“Capt. in prog. (approx. 2min)”

The image is being read into the projector. During this time interval, the projector will not respond to any command signal inputted by the user.



“Signal can not be captured”

Clear the message with the [EXIT] button and input appropriate signals.

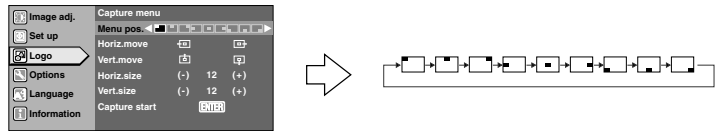
“Reduce capt. size”

Clear the message with the [EXIT] button and decrease the signal size.

- Depending on the image content, there will be cases where certain signals cannot be captured while others of the same size can be.

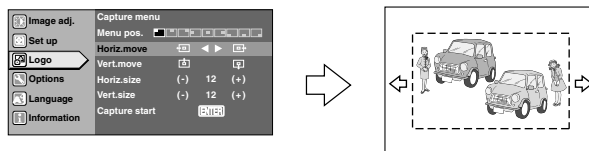
7. Set the menu position as required

- Select “Menu pos.” with the cursor buttons (▲ / ▼)
- Move the menu display position with the cursor buttons (◀ / ▶) while viewing the projected image.



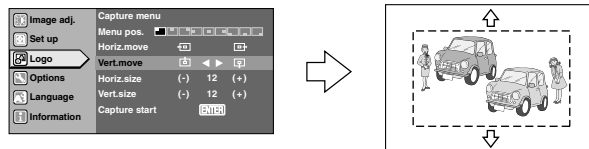
8. Select “Horiz. move” with the cursor buttons (▲ / ▼)

- Move the logo left or right with the cursor buttons (◀ / ▶) while viewing it on the screen.



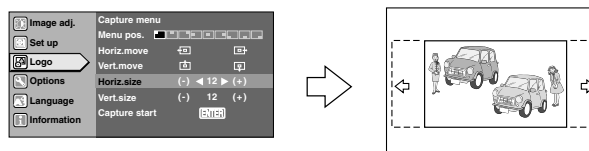
9. Select “Vert. move” with the cursor buttons (▲ / ▼)

- Move the logo up or down with the cursor buttons (◀ / ▶) while viewing it on the screen.



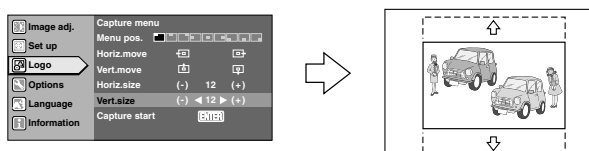
10. Select “Horiz. size” with the cursor buttons (▲ / ▼)

- Set the width with the cursor buttons (◀ / ▶) while viewing the projected image.



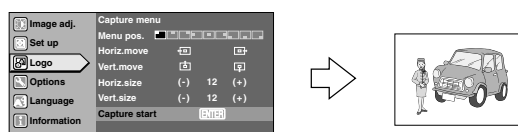
11. Select “Vert. size” with the cursor buttons (▲ / ▼)

- Set the height with the cursor buttons (◀ / ▶) while viewing the projected image.



12. Select “Capture start” with the cursor buttons (▲ / ▼) and press [ENTER]

- Begin to capture the framed image set in the procedures 8 to 11 from the projected image.
- The captured picture will be taken into memory as a logo in the projector and will be shown during start-up.



Replacing the Lamp

The light source lamp and its lamp time

The light-source lamp has a service life. The life of lamps currently used for this projector is about 2000 hours.

[Average lamp life: 2000 hours]

When the light-source lamp approaches the end of its service life, deterioration progresses rapidly. Please install a new lamp when the accumulated lamp time exceeds 1900 hours or at least get a replacement lamp ready. Depending on the operating conditions, the lamp may have to be changed earlier. If the image remains dark or the tone, unusual, even after adjustment, please replace the lamp as soon as possible. You can check the accumulated used hours of the lamp via the "Lamp time" item in the "Information" menu. (☞ page 40)

Please purchase the new lamp unit from the authorized dealer where you purchased the projector.

Exchange lamp Part No.: 456-9100HC

■ When lamp time exceeds 1000 hours:

When the accumulated lamp time reaches 1000, a message indicating "1000h" will appear on the projected screen.

- Press [EXIT] button to delete the message.

■ When lamp time exceeds 1900 hours:

● When the accumulated lamp time reaches 1900 hours:

The [LAMP] indicator on the projector lights up.

● When the accumulated lamp time exceeds 1900 hours:

"Lamp replacement" appears on the screen.

* Press [EXIT] button to delete the message.

● When the lamp time exceeds 2000 hours:

The lamp indicator on the projector blinks.

"Warning" and "Lamp replacement" appear on the screen; the word "Warning" blinks.

- To cancel the message, press the [EXIT] button.

However, the same message will appear again every one hour.

* Once the lamp time exceeds 2000 hours, and the projector is either put into the standby state or turned off, projection will not be possible again until the lamp is replaced and the lamp time is reset. (☞ page 49)

● When the lamp time exceeds 2010 hours:

The projector quits and shuts down.

The [LAMP] and [OPERATE] indicators blink on the projector.

* The projector does not turn on unless the lamp (lamp unit) is replaced and the lamp time is reset. (☞ page 49)

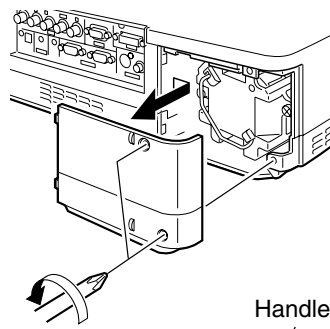
About lamp replacement

- If the projector is set in a constricted place, attempting to replace the lamp in that place could cause injury. Move the projector to a place large enough to work in.
- To avoid malfunctions, be sure to use only genuine replacement parts. Also, never attempt to re-use an old lamp as this could cause marked performance deterioration or lamp blow-out leading to projector malfunction. In the worse case, broken pieces of glass from the lamp may cause injuries.
- Do not replace the lamp immediately after the projector has been used. The temperature of the lamp unit is still high and could cause a burn. Allow a cooling period of one hour or more before replacement.
- Before starting to replace the lamp, disconnect the power cord from the wall outlet while the [STAND BY] indicator is on. Replacing a lamp while the power cord is connected to wall outlet could cause injury or electric shocks.

The procedure for lamp replacement

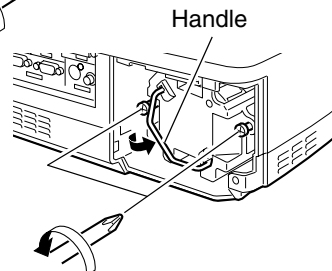
1. Loosen the screws and detach the light-source lamp cover

- Loosen the two screws with a ⊕ screwdriver.

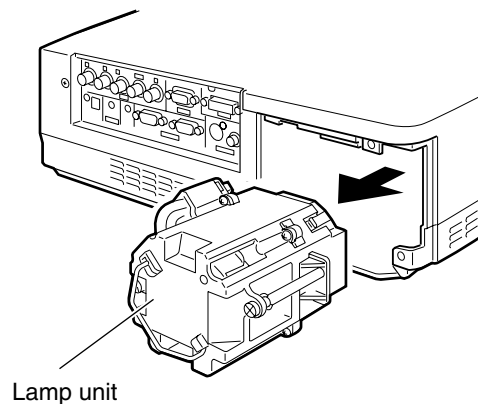


2. Loosen the screws and lift up the handle

- Loosen the two screws with a ⊕ screwdriver.



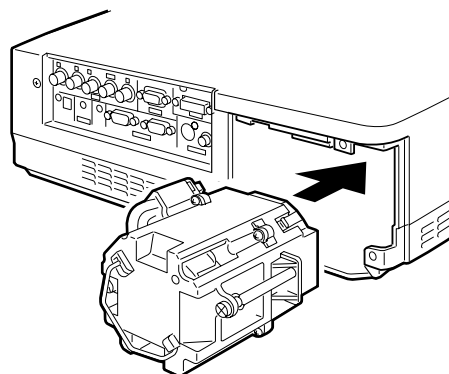
3. Remove the lamp unit.



4. Insert the new lamp unit until it is fully in.

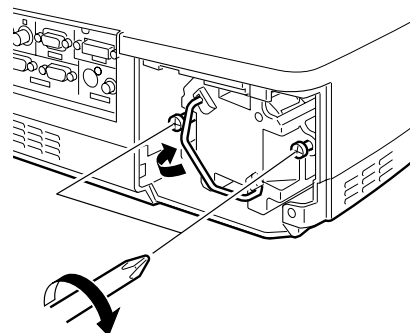
Caution

- Neither touches the glass surface of the lamp directly with your hand nor stains it. If you touch it with a bare hand, oil or other substances on your hand may adhere to the lamp, possibly preventing it from performing as specified and therefore lead to a shortened lamp life, a darkened screen, etc.



5. Close the handle, and tighten the screw.

- Tighten the two screws with a ⊕ screwdriver.

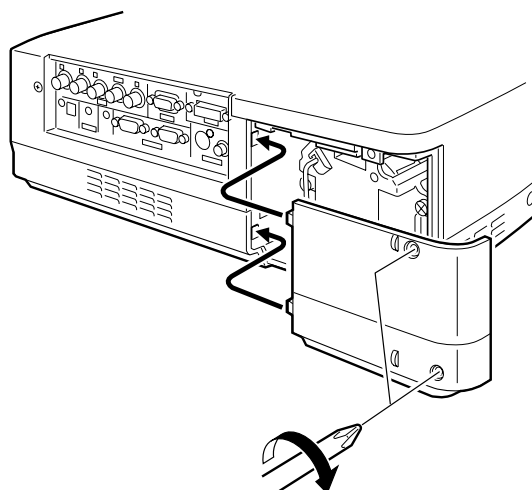


6. Attach the light-source lamp cover and tighten the screw.

- Tighten the two screws with a ⊕ screwdriver.

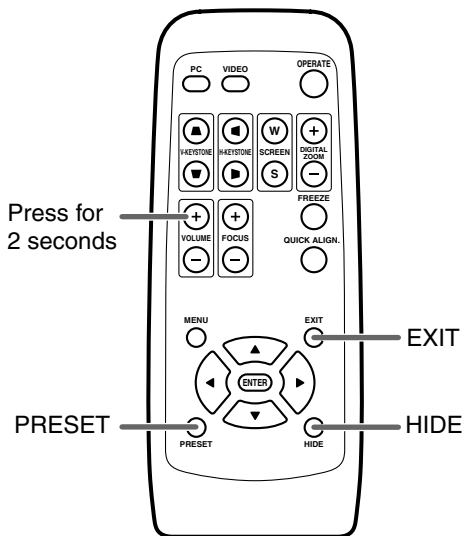
Note

- When closing the lamp cover, please insert the left side (with the two claws) in first and then ensure that the protruding part found on the reverse side of the cover fits snugly into the hole of the main unit. As this protrusion acts as a switch, misfitting leads to power not being able to flow in.



Resetting the lamp time

After installing a new lamp, reset the lamp time counter inside the projector when this is done. A new count will start. If the display of the accumulated lamp time has reached 2000 hours, the projector will not work (lamp does not light up) unless the lamp time is reset.

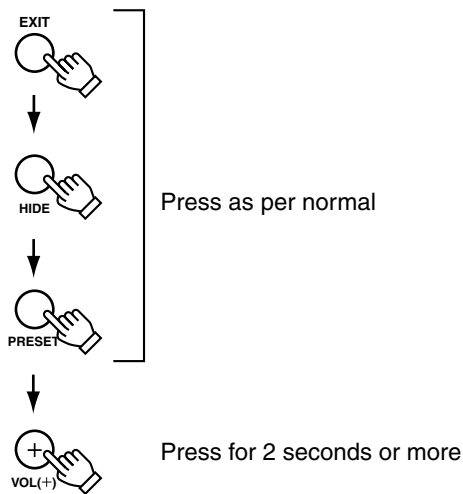


1. Insert the power cord into the wall outlet

- The [STAND BY] indicator lights up when the main power is inputted.

2. Press the [EXIT], [HIDE], [PRESET] buttons on the remote control sequentially, then press VOL ⊕ for 2 seconds or more

- The [STAND BY] and [OPERATE] indicators alternately blink about every approx. 3 seconds. After blinking stops, lamp time resets and the projector returns to the stand-by state ([STAND BY] indicator lights up).



To ensure the lamp time has been reset

The lamp time can be checked via the “Lamp time” item in the “Information” menu. (☞ page 32, 33, 34, 40)

Caution for reset work

Reset the lamp time only when you have replaced the lamp. Never reset it while the lamp is still in use, otherwise the approximate standard for gauging replacement time may be inaccurate, lamp performance may suffer and lamp blow-out may also occur.

Cleaning and Replacing the Filter

Clean the filter regularly or it may not work satisfactorily, causing damage. If the filter is extremely dirty and cannot be cleaned, or if it is damaged, replace the filter with a new one (Lower filter: LC32087-002A/ Inner filter: LC32058-002A). Otherwise, dirt may get inside the unit and appear on the screen, preventing you from enjoying the video fully. If dirt has gotten in or if you need information about the filter, please consult the authorized dealer where you purchased the projector.

* **The air inlet filter on the right side cannot be removed. Please clean this filter regularly using, for example, a vacuum cleaner.**

1. Pull out the power cord from the wall outlet

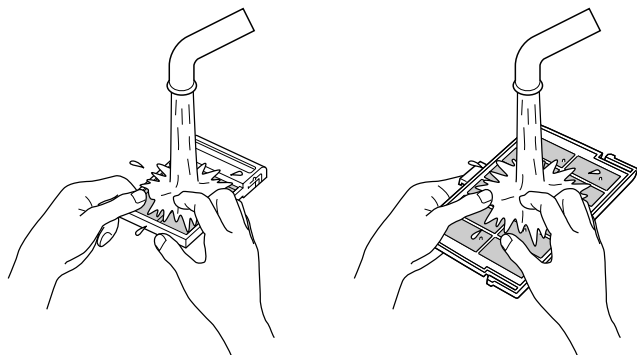
- After the projector goes into the stand-by state with the [STAND BY] indicator on, pull out the power cord from the wall outlet.

2. Remove the filter

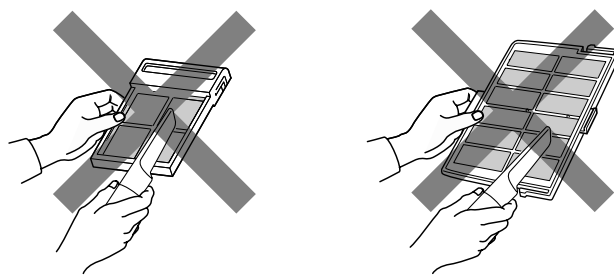
- **When removing the lower filter:**
Withdraw the lower filter backwards along the rail in the direction of the arrow.
- **When removing the inner filter:**
Push the claw at the base of the inner filter in the upward direction and draw the filter out.

3. Clean the filter

- Clean the filter with water and dry it, avoiding direct sunlight. In extremely soiled cases, use of a neutral detergent is recommended.

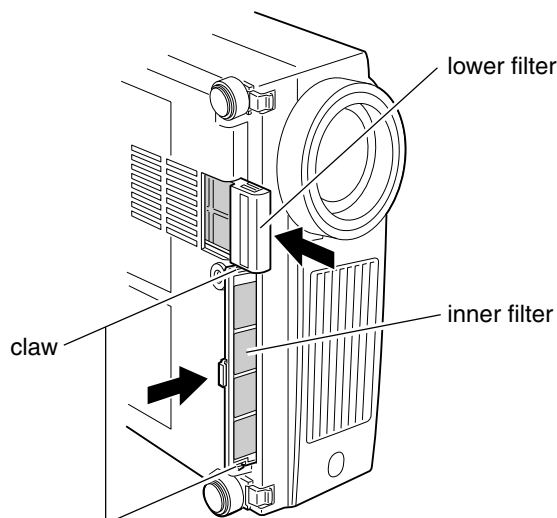
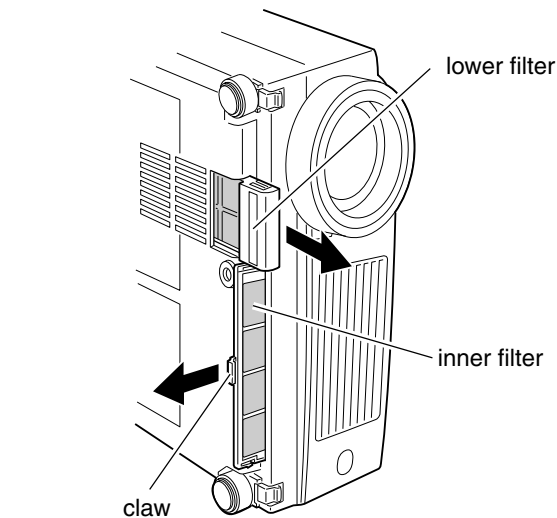


- Put on rubber gloves when using a neutral detergent.
- After you wash a filter in water, make sure that the filter is completely dry before reinstalling, otherwise electric shocks or malfunctions may occur.
- Do not clean removable filters with a vacuum cleaner. Since these filters are soft, they can be sucked into the vacuum cleaner or otherwise damaged.



4. Reinstalling the filter

- **When reinstalling the lower filter:**
Reinstall the lower filter by inserting it into the projector.
- **When reinstalling the inner filter:**
Install the filter after engaging the two claws of the inner filter to the projector.



Troubleshooting

Before consulting your authorized dealer, please check the following points.

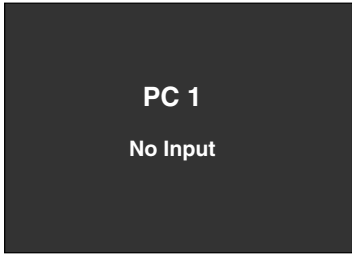
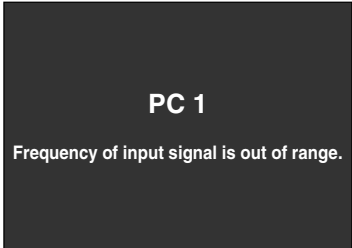
Symptom	Probable cause	Corrective action	Page
Power is not supplied.	Is the power cord disconnected?	• Insert the power cord (plug) firmly.	24
	Is the light-source lamp cover closed correctly?	• After the projector goes into the stand-by state with the [STAND BY] indicator on, unplug from the main power outlet, close the light-source lamp cover correctly and plug in again.	25, 27, 48
	Is the filter inserted correctly?	• After the projector goes into the stand-by state with the [STAND BY] indicator on, unplug from the main power outlet, insert the filter properly and plug in again.	25, 27, 50
	Has the lamp life expired? (Has the lamp time reached 2000 hours?)	• After the projector goes into the stand-by state with the [STAND BY] indicator on, unplug from the main power outlet, replace light-source lamp and plug in again. Reset the lamp time after replacing the lamp.	25, 27, 47, 48, 49
Light is not emitted, or light is dim.	Is the lens cap removed?	• Remove the lens cap.	24
	Is the lamp near exhaustion?	• Check the "Lamp time" on the menu, and if the lamp is near exhaustion, prepare a new lamp and install as soon as possible.	47, 48, 49
With power on, the projector works but stops abruptly in a few minutes.	Is the air inlet or exhaust vent area blocked?	• After the projector goes into the stand-by state with the [STAND BY] indicator on, unplug from the main power outlet, remove any blocking object and plug in again.	7, 8, 15, 25, 27
	Is the filter dirty?	• Clean filter.	50
Video image does not appear, or audio sound does not occur.	Is the correct input terminal selected?	• Select the correct input with the [VIDEO] and [PC] buttons.	25, 26
	Are devices connected correctly?	• Connect devices correctly.	21, 22
	Are signals being supplied from the connected devices?	• Set connected devices correctly.	—————
	Are input signals (scanning frequency, etc.) appropriate?	• Check if the signal is appropriate (scanning frequency, etc.) and input the appropriate signal.	19, 20
	Is "Brightness" adjusted correctly?	• Adjust "Brightness" using the menu.	37
	Is volume level set at minimum?	• Adjust volume with the [VOLUME] buttons.	27
	Are video and audio temporarily turned off by the [HIDE] button being pressed?	• Press the [HIDE] button to turn video and audio on.	29

Troubleshooting

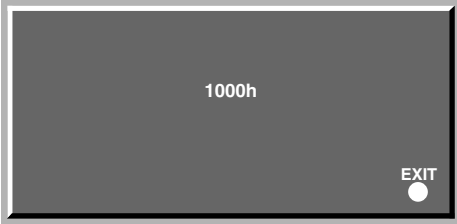
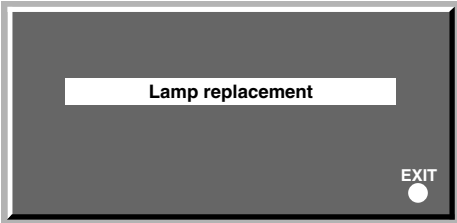
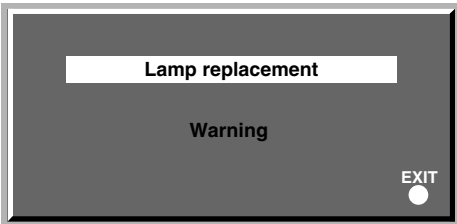
Symptom	Probable cause	Corrective action	Page
Video image is fuzzy.	Is the focus adjusted correctly?	• Adjust focus with the focus ring of the lens.	26
	Is the projector placed too near or too far from the screen?	• Set the projector at the correct distance.	17
	Are "Tracking" and "Phase" adjusted correctly?	• Adjust "Tracking" and "Phase" using the menu.	37
Video image is abnormally dark or bright.	Is the "Brightness" adjusted correctly?	• Adjust "Brightness" using the menu.	37
Color is poor or unstable.	Is the picture quality (color density, etc.) adjusted correctly?	• Adjust picture quality using the menu.	37
	Is the correct "Decoder" selected?	• Set the "Decoder" to "AUTO" or the correct dedicated decoder. • If the problem is not rectified after setting to "AUTO", set to forced dedicated mode.	38
	Are signals (scanning frequency, etc.) from the connected device appropriate?	• Check if the signal is appropriate (scanning frequency, etc.), and input the appropriate signal.	19, 20
	Is the [PC2] input terminal being used?	• When the [PC2] input terminal is being used, "PC2(BNC)" must be selected from the "Options" menu. Set it correctly according to the input signal.	39
The upper part of the video image bows or distorts.	If the input signal comes from a computer system, is this a sync signal of composite sync (Cs) or G on sync type?	• Input separate sync signals for vertical sync (V) and horizontal sync (H) signals.	19, 20
	Are signals with much jitter or skew distortion being input from a video deck?	• Input signals with little jitter or skew distortion. • Use a TBC or a device with a built-in TBC.	—————
Remote control unit does not work.	Are batteries installed correctly?	• Match the polarities of batteries correctly, as shown on the battery cartridge.	14
	Are batteries exhausted?	• Replace with new batteries.	14
	Is there an obstructive object between the remote control unit and the remote sensor?	• Remove any shielding objects.	18
	Is the remote control held too far from the sensor?	• Use the remote control unit at a nearer point.	18

- This projector uses a micro computer. External noise may cause it to malfunction. If this happens, unplug from the main power outlet and then plug on again. (☞ page 25, 27)

What to do when these messages are displayed

Message	Cause (Contents)
 <p>PC 1 No Input</p>	<p>No device is connected to the input terminal. The terminal is connected but no signal is output from the connected device.</p> <ul style="list-style-type: none">• The selected input mode (input terminal) name is shown above the message. <p>→ Check the input image signal source.</p>
 <p>PC 1 Frequency of input signal is out of range.</p>	<p>The frequency of the input video signal is out of range.</p> <p>→ Please ensure the frequency level of the input video signals is within the projector's specifications.</p>

What to do when these messages are displayed

Message	Cause (Contents)
	<p>When the "Lamp time" reaches 1000 hours</p> <p>→ A message indicating "1000h" appears on the projected screen.</p> <ul style="list-style-type: none">• Press [EXIT] button to delete the message.
	<p>When the accumulated lamp time reaches between 1900 hours to 2000 hours, "Lamp replacement" message appears on the screen each time the projector is turned on.</p> <ul style="list-style-type: none">• Press [EXIT] button to delete the message. <p>→ Prepare a replacement lamp and install as quickly as possible.</p>
	<p>The word "Warning" appears and blinks when the accumulated lamp time reaches 2000 hours.</p> <p>The message can be cleared by pressing the [EXIT] button. However, the same message will re-appear every hour.</p> <p>Once the projector is turned off, it cannot be turned on again if the accumulated lamp time has exceeded 2000 hours.</p> <p>When the accumulated lamp time reaches 2010 hours, the projector shuts down and cannot be turned on again.</p> <p>→ Replace the light-source lamp and reset the lamp time.</p> <p>(☞ page 47, 48, 49)</p>

Note

- The message display language corresponds to the menu language setting. This is set to [English] when the projector is bought. The display language can be selected from among 8 languages. (☞ page 39) However, the input mode ([PC1], [PC2], [PC3], [Y/C], [VIDEO]) and button indications ([FREEZE], [D.ZOOM], [EXIT]) are only displayed in English irrespective of the display language setting.

Warning Indication

■ About warning indicators

If something abnormal has occurred in the projector, the warning mode will be set in and the type of abnormality will be indicated by a combination of indicators displayed on the control panel as shown in the following table.

The projector will then automatically stops projection and run the cooling fan for about 90 seconds.

No.	Indicator				Warning
	[LAMP]	[TEMP]	[STAND BY]	[OPERATE]	
1	Blink		Blink		The light-source lamp does not light up and projection cannot be done.
2	Blink ←	Blink simultaneously		→ Blink	The light-source lamp suddenly goes off during projection.
3	Blink	Blink			Circuit operation is abnormal.
4	Blink ←	Blink alternately		→ Blink	The light-source lamp is misfitted.
5		Blink			The internal temperature is abnormally high.
6		Blink	Blink		The temperature at the air inlets has risen abnormally high.
7	Blink	Blink	Blink	Blink	The cooling fan has stopped. (Fan locked)

• For details on individually blinking indicators, please see page 47.

■ Action to be taken upon warning indications

Please follow the procedures below.

For No.1-3

No.1 : Unplug from the main power outlet and restart according to the basic operation procedures.

No.2 : After checking if a shock (such as from knocking) has not occurred during operation, unplug from the main power outlet and restart according to the basic operation procedures.

No.3 : Unplug from the main power outlet and restart according to the basic operation procedures.

For No.4-7

Pull out the power cord when [STAND BY] indicator lights up. After that, check No.4 ~ No.7.

No.4 : Ensure that the lamp is correctly set in place. Restart according to the basic operation procedures.

No.5 : Check that nothing is blocking the air inlets, and wait until the inside cools down. Restart according to the basic operation procedures.

No.6 : Check the ambient temperature. If it is normal, leave the projector until it cools down. Restart according to the basic operation procedures.

No.7 : Leave the projector until it cools down. Restart according to the basic operation procedures.

If the warning indication is observed again, wait for the cooling fan to stop. Plug out the power cord with [STAND BY] indicator lights up and call your dealer for repair.

Specifications

■ Model name/ Article name	9100HC projector	
■ Emission method	D-ILA®*1 (Reflective Active Matrix Principle)	
■ Display panel/ size	D-ILA*2 / 0.64 (1400 pixels x 788 pixels) x 3 (Total number of pixels: Approx. 3,309,600)	
■ Projecting lens	x 1.3 zoom lens (2:1 ~ 2.6:1) (Manual zooming and focusing)	
■ Light-source lamp	250 W Ultra High Pressure Mercury lamp Rating: 250 W	
■ Screen size	Approx. type 37 ~ type 275 (with aspect ratio: 16:9)	
■ Projection distance	Approx. 1.6 m ~ 12 m	
■ Color system	NTSC, NTSC4.43, PAL, SECAM (Automatic switching/manual switching)	
■ Resolution	1400 dots x 788 dots (during RGB input) 1000 TV lines (Horizontal resolution, aspect ratio 4:3, during video input)	
■ Scanning frequency	Horizontal frequency : 15 kHz ~ 120 kHz Vertical frequency : 24 Hz, 25 Hz, 30 Hz, 50 Hz ~ 120 Hz Please be sure to refer to the frequency correspondence table on page 20.	
■ Audio	Power output : 1 W (monaural), 4 cm round type micro-speaker x 1	
■ Input terminals	VIDEO IN	Y/C : 1-line, mini DIN 4 pin x 1 Y: 1.0 Vp-p, 75 ohm C: 0.286 Vp-p, 75 ohm (NTSC), 0.3 Vp-p, 75 ohm (PAL) VIDEO : 1-line, RCA pin x 1 : 1.0 V (p-p), 75 ohm, synchronised
	PC1	1-line, D-sub 3-rows 15 pin x 1
	PC2	1-line, BNC x 5 Y, C _B , C _R : Component (Y, B-Y, R-Y) signal (Color Difference signal) Y, P _B , P _R : DTV-format (Y, P _B , P _R) signal R, G, B : Analog RGB signal H/Cs, V : Horizontal (H) sync/ composite (Cs) sync, Vertical (V) sync signal
	PC3	1-line, DVI-D (single-24pin) terminal, HDCP compatible*3
	AUDIO	1-line, RCA pin X 1 (Y/C, VIDEO, PC1, PC2, PC3) 0.5 V (rms), high impedance
	CONTROL	RS-232C : 2-lines, D-sub 9pin x1 (External controller) * (IN: 1 system OUT: 1 system) REMOTE : 1-line, stereo mini-jack x1 (remote control)
■ Output terminals	SCREEN TRIGGER terminal : DC Power Jack (Tip = DC +12 V / max. 100 mA, Sleeve = Gnd)	
■ Power requirements	AC 100 V ~ 240 V AC, 50 Hz/ 60 Hz	
■ Power consumption	3.4 A (100 V AC) ~ 1.42 A (240 V AC)	
■ Operation environment	Temperature : 41 °F ~ 95 °F (+5 °C ~ +35 °C) Humidity : 20 % ~ 80 % (no condensation) Preservation temperature 14 °F ~ 140 °F (-10 °C ~ +60 °C)	
■ Dimensions (Width x Height x Length)	Approx. 11 7/10" x approx. 5 3/10" x approx. 14 1/5" (Approx. 298 mm x 134 mm x 360 mm) (Excluding handle, lens and protrusion portion)	
■ Mass	Approx. 13.2 lbs (Approx. 6.0 Kg)	
■ Accessories	(☞ page 6)	

*1 D-ILA® is the abbreviation for Direct drive Image Light Amplifier.

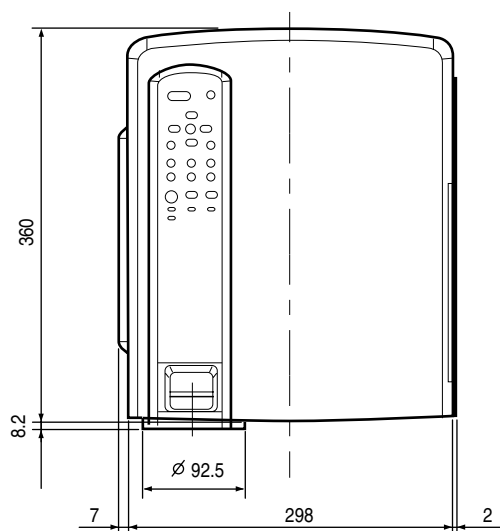
*2 D-ILA® devices are manufactured using extremely high-precision technology. Pixel effectiveness is 99.99 %. Only 0.01 % or less of the pixels would either not lit up or remain permanently lit up.

*3 The image of [DVI-D] input terminal might not be displayed due to HDCP specification change.

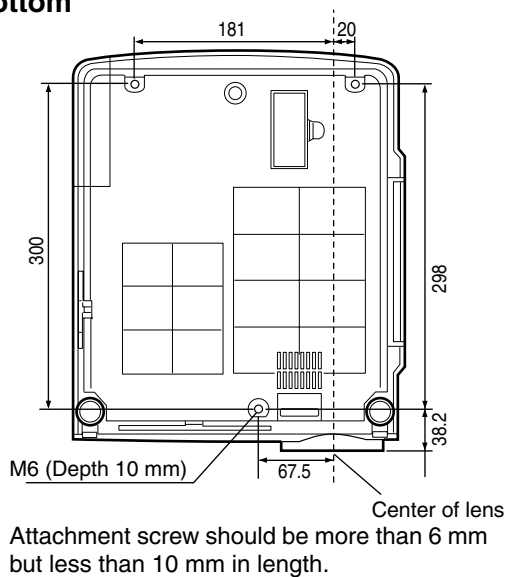
- Design and Specifications are subject to change without notice.
- Please note that some pictures and illustrations may have been abridged, enlarged or contextualized in order to aid comprehension. Images may differ from the actual product.
- All brand names and products (IBM, Macintosh) herein are the trademarks or registered trademarks of their respective companies.
- This product conforms to the 'Household electric appliances and general-purpose articles harmonics control measure guideline'.

Dimensions (unit: mm)

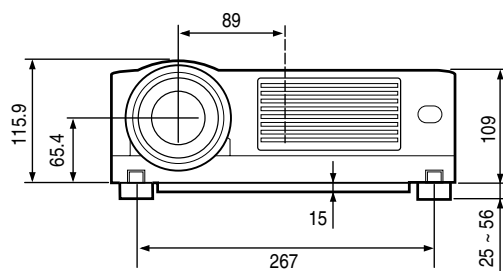
■ Top



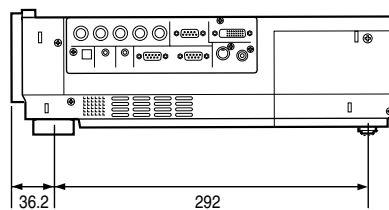
■ Bottom



■ Front



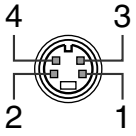
■ Side



Specifications

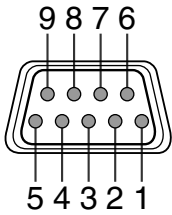
Pin arrangement

■ Y/C terminal



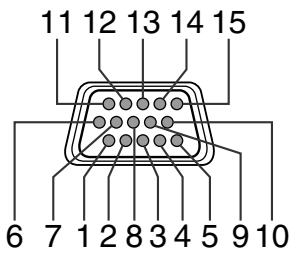
Pin number	Signal name
1	GND (Y)
2	GND (C)
3	Y
4	C

■ RS-232C IN/OUT terminal



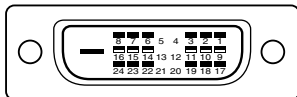
Pin number	Signal name	Pin number	Signal name
1	N/C	6	N/C
2	RD	7	N/C
3	TD	8	N/C
4	N/C	9	N/C
5	GND		N/C

■ PC 1 terminal



Pin number	Signal name	Pin number	Signal name
1	Red	9	N/C
2	Green	10	GND (SYNC)
3	Blue	11	GND
4	N/C	12	N/C
5	N/C	13	H.SYNC
6	GND (Red)	14	V.SYNC
7	GND (Green)	15	N/C
8	GND (Blue)		

■ PC 3 terminal



Pin number	Signal name	Pin number	Signal name
1	TMDS data 2 -	13	N/C
2	TMDS data 2 +	14	TMDS +5 V power supply
3	TMDS data 2/4 shield	15	Earth (+5 V)
4	N/C	16	Hot plug detection
5	N/C	17	TMDS data 0 -
6	DDC clock	18	TMDS data 0 +
7	DDC data	19	TMDS data 0/5 shield
8	N/C	20	N/C
9	TMDS data 1 -	21	N/C
10	TMDS data 1 +	22	TMDS clock shield
11	TMDS data 1/3 shield	23	TMDS clock +
12	N/C	24	TMDS clock -

TMDS = Transition Minimized Differential Signaling
DDC = Display Data Channel

■ RS-232C external control

By connecting a computer to the projector with a RS-232C cross cable (D-sub 9 pins), you can control the projector with the computer. The commands to control the projector and the response data format against the received commands are explained here.

For details, please consult the authorized dealer where you purchased your projector.

1. Communication Specifications

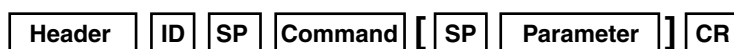
The communication specifications are as follows.

Baud rate	9600 bps/19200 bps
Data length	8 bits
Parity	None
Stop bit	1 bit
Flow control	None

2. Command Format

2-1 Command data format

When sending a control command to the projector, use the following data format.



Header : Designates the head of data and the data type.

: ! (21h): Assigns command to the projector.

: ? (3Fh): Query to the projector. (Asking command)

ID : 1: The identification number of the projector. (Manufacturer set value 1)

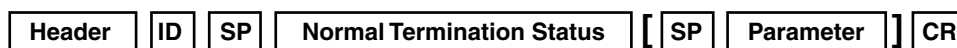
SP : Designates the delimiter for ID, Command, and Parameter. (20h)

CR : Designates the terminal of the data. (0Dh)

* [] is not necessary for Asking command.

2-2 Response data format

Upon executing a control command it has received, the projector sends back the following response data to the computer:



Header : Designates the head of data.

: @ (40h): Fetches data from the projector.

ID : 1: The identification number of the projector. (Manufacturer set value 1)

SP : Designates the delimiter for ID, Command, and Parameter. (20h)

Normal Termination Status : 0 (30h)

CR : Designates the terminal of the data. (0Dh)

2-3 Parameters used for the data format

The following three kinds of parameters are used for control commands and response data.

- 1) Numeric value
- 2) ON/OFF
- 3) Special parameters

Each parameter is as follows:

- 1) Numeric value

A 2-byte hexadecimal value (sign included) is represented by a set of 4 digit (4 bytes) characters.
Designated range: 8000 to 7FFF.

- 2) ON/OFF

Shows the status (ON/OFF) of the projector, such as POWER and HIDE.

Character	Hex.	Meaning
0	30	OFF
1	31	ON

Specifications

3) Special parameters

Input switching parameters

Character	Hex.	Meaning
0	30	Y/C
1	31	VIDEO
3	33	PC1
4	34	PC2
5	35	PC3

Operation mode parameters

Character	Hex.	Meaning
0000	30h 30h 30h 30h	Stand-by mode
0001	30h 30h 30h 31h	Power-on mode
0002	30h 30h 30h 32h	Cool-down mode
0004	30h 30h 30h 34h	Emergency mode

3. External control command table

Function	Command	Asking		Data type		
		Power on	ELSE	Numeric Value	ON/OFF	Special Data
OPERATE	U0F	X	X	X	○	X
HIDE	U00	○	X	X	○	X
Right Left reversal	U17	○	X	X	○	X
Top Bottom inversion	U18	○	X	X	○	X
Input switch	U1A	○	X	X	X	Y/C ...
Operation mode	Z03	○	○	X	X	Stand-by...

Operation mode: Only Asking command is possible.

DUKANE CORPORATION

TWO-YEAR LIMITED WARRANTY

This Dukane projector is warranted to the original purchaser for a period of two (2) years from the original purchase date – in normal operating conditions – against defects in material and workmanship . DUKANE CORPORATION EXPRESSLY DISCLAIMS ALL OTHER WARRANTIES OF MERCHANTABILITY AND FITNESS FOR A PARTICULAR PURPOSE.

DURING THE WARRANTY PERIOD, DUKANE CORPORATION'S LIABILITY FOR ANY DEFECTIVE PRODUCT (except for the lamp, which is subject to whatever warranties the manufacturer may provide) IS LIMITED TO THE REPAIR OR REPLACEMENT OF PRODUCT AT DUKANE CORPORATION'S OPTION. REPLACEMENT PRODUCTS MAY BE NEW OR USED (used units will not exceed hours of defective unit). The following are not covered by the limited warranty and Dukane Corporation shall not be liable for:

1. Any product which is not distributed in the U.S.A. or Canada by Dukane Corporation or an authorized dealer.
2. Normal decrease in lamp light output over time.
3. Damage, deterioration or malfunction resulting from:
 - Accident, misuse, abuse, neglect, improper ventilation, fire, dust, smoke, water, lighting or other acts of nature, unauthorized product modification, or failure to follow instructions supplied with the product (including proper maintenance of air filters).
 - Repair or attempted repair by anyone other than a Dukane Corporation authorized service center.
 - Any shipment of product (claims must be presented to the carrier).
 - Removal or installation of the product.
 - Any other causes which do not relate to a product defect.
 - Use of the product beyond normal operating conditions. Normal operating conditions are defined as product use not in excess of 8 hours per day and 260 days per year.
4. Cartons, carry cases, shipping cases, batteries, or any accessories used in connection with the product.
5. Service required as a result of third party components.
6. Product used as commercial rental units

Dukane corporation will pay labor and material expenses for covered items, but Dukane Corporation will not pay for the following:

1. Removal or installation charges.
2. Cost of technical adjustment, set-up, maintenance, or adjustment of user controls.
3. Payment of shipping and related charges incurred in returning the product for warranty repair.

Dukane Corporation disclaims all liability for incidental or consequential damage of any kind, including all damages arising out of any interruptions in operation of the product and all damages to software.

No person, firm, or representative is authorized to assume any obligation or to make any warranty on behalf of the Dukane Corporation other than as stated above.

Audio Visual Products

Audio Visual Products
2900 Dukane Drive
St. Charles, IL 60174-3395
E-mail: avsales@dukcorp.com

Phone: (630) 762-4040
Orders: (800) 676-2485
Information: (800) 676-2486
Fax: (630) 584-5156
Parts & Service: (800) 676-2487
Fax: (630) 584-0984

DUKANE

Part # 401-9100HC-00